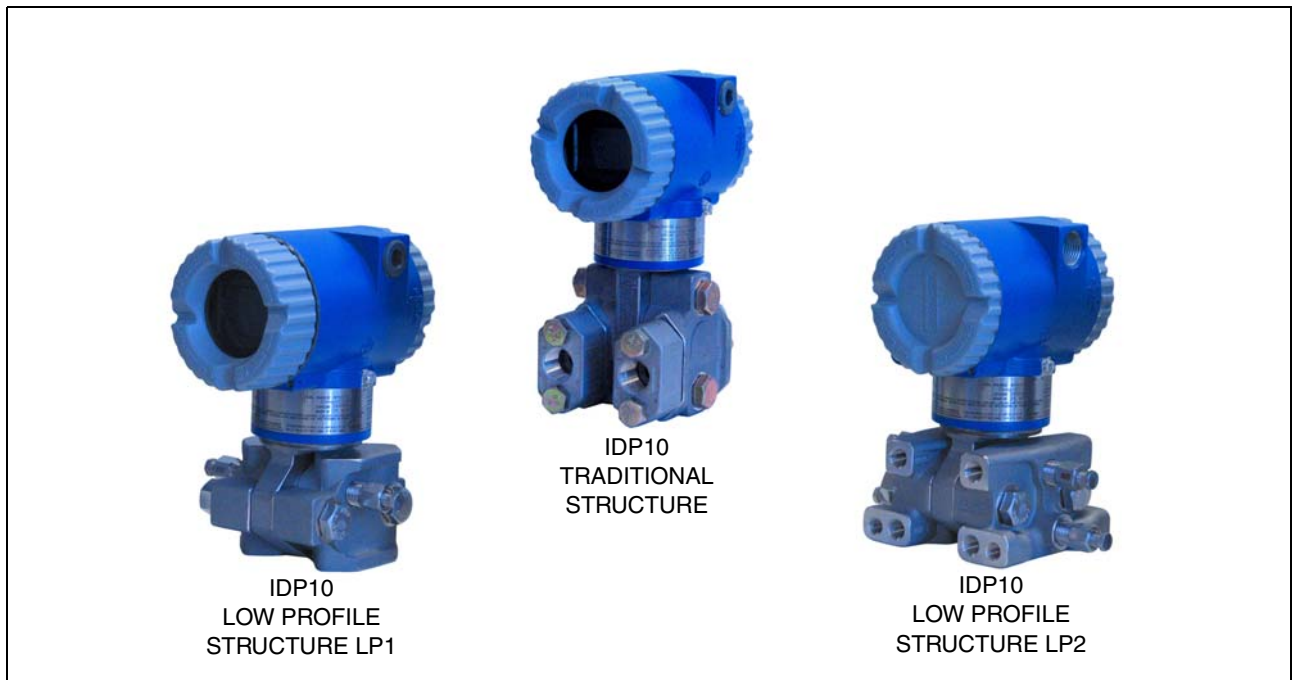


I/A Series[®] Electronic d/p Cell[®] Transmitters

Model IDP10 with HART[®] Communication Protocol for Differential Pressure Measurement



This Intelligent, two-wire transmitter provides precise, reliable, measurement of differential pressure, and transmits a 4 to 20 mA output signal with a superimposed HART[®] digital signal for remote configuration and monitoring.

HIGH DEPENDABILITY

- Silicon strain gauge sensors successfully field-proven in many thousands of installations.
- Simple, elegant sensor packaging, with very few parts achieves exceptionally high reliability.
- Transmitter available with traditional or low profile structures (see photos above).
- Aluminum housing has durable, corrosion-resistant epoxy finish; 316 ss housing also available; both meet NEMA[®] 4X and IEC IP66.
- Can be provided as a sealed measurement system with numerous configurations of direct connect or capillary connected seals available.
- Optional mounting bracket sets allow pipe, surface, or manifold mounting of transmitter.
- Remote configuration with HART communication protocol in a single loop or multidrop mode; or locally via optional LCD indicator.
- Industry standard 316L ss, Co-Ni-Cr, Hastelloy[®] C, Monel[®], or Tantalum sensor materials, depending on transmitter structure.
- Complies with NAMUR Part 1 Interference Immunity Requirement.
- CE Marked; complies with applicable EMC, ATEX, and PED European Directives.
- Complies with Electromagnetic Compatibility Requirements of European EMC Directive 89/336/EEC by conforming to following CENELEC and IEC Standards: EN 50081-2, EN 50082-2, and IEC 801-2 through 801-6.
- Designed for hazardous area installations. Versions available to meet Agency flameproof and zone requirements.
- Standard 2-year warranty; 5-year optional.

I/A Series PRESSURE TRANSMITTER FAMILY

The I/A Series Electronic Pressure Transmitters are a complete family of d/p Cell, gauge, absolute, multirange, multivariable, and premium performance transmitters, as well as transmitters with remote or direct connect seals, all using field-proven silicon strain gauge sensors and common topworks.

MODULAR ELECTRONICS

A common HART electronics module is used for all I/A Series HART Pressure Transmitters. Also, because all configuration and calibration data is stored in the sensor, you can replace a HART module with another HART module without transmitter reconfiguration or recalibration.

Furthermore, if your needs change, the transmitter modular design allows easy migration to other standards - including FoxCom™, FOUNDATION® fieldbus, PROFIBUS®, and analog 4 to 20 mA or 1 to 5 V dc versions.

HART COMMUNICATION PROTOCOL VERSION -T ELECTRONICS

Version -T, 4 to 20 mA with HART communications, allows direct analog connection to common receivers while still providing full Intelligent Transmitter Digital Communications using a HART Communicator.

Users having HART Communicators for other devices can have them upgraded with Foxboro software to accommodate these transmitters. Also, Invensys Foxboro will make use of the HART Foundation library of registered DDs (Device Descriptors), and reload the Communicator if the user desires to keep another supplier's DD along with the Foxboro DD.

In addition to HART Protocol, Invensys Foxboro also offers other Transmitters with...

FoxCom Version, Software Configurable for Digital and 4 to 20 mA Output (-D Electronics)

Provides measurement integration with an Invensys Foxboro I/A Series system, or allows direct analog connection to common receivers while still providing full Intelligent Transmitter digital communication with a PC-based configurator. Refer to PSS 2A-1C14 A.

FOUNDATION Fieldbus Digital Version (-F Electronics)

Provides an all digital, serial, two-way communication system which interconnects field devices such as transmitters, actuators, and controllers. It is a local area network (LAN) with built-in capability to distribute control application across the network. Refer to PSS 2A-1C13 E.

PROFIBUS Digital Version (-P Electronics)

This is an all digital, serial, two-way communication system which interconnects field devices (of the same or different manufacturers), such as transmitters, actuators, and controllers. It is a vendor-independent, open fieldbus standard conforming to international standards. The Profibus Process Automation (PA) profile is used with these transmitters. Refer to PSS 2A-1C13 J.

Analog Output Version (-A Electronics)

Provides a 4 to 20 mA analog output and includes a standard LCD Indicator to provide transmitter configuration directly from on-board pushbuttons. Refer to PSS 2A-1C14 C.

Analog Output Version (-V Electronics)

A low power, low voltage transmitter that draws no more than 3 mA, and transmits a 1 to 5 V dc output signal. Refer to PSS 2A-1C13 D.

HART INTELLIGENT MODULE CONFIGURED FOR 4 TO 20 mA OUTPUT

Measurements and diagnostics are available from the HART Communicator connected to the two-wire loop carrying the 4 to 20 mA measurement signal by using a bidirectional digital signal superimposed on the 4 to 20 mA current signal.

Multiple measurements are transmitted digitally, including not only the primary measurement in either pressure or flow units, but also the electronics and sensor temperatures which can be used to monitor external heat tracing equipment. Complete transmitter diagnostics are also communicated.

Configuration and reranging can be accomplished with the Communicator, or on-board pushbuttons which are part of the LCD Digital Indicator option.

HIGH PERFORMANCE

Transmitters are accurate to $\pm 0.05\%$ of calibrated span in the digital linear mode, and $\pm 0.075\%$ of calibrated span in the 4 to 20 mA linear mode, as well as microprocessor-based correction to achieve excellent ambient temperature compensation.

WIDE MEASUREMENT RANGE WITH A MINIMUM OF SENSORS

Five d/p range sensors provide measurement spans from 0.12 to 21 000 kPa (0.018 to 3000 psi). The high turndown capability of the transmitter means that nearly all d/p applications can be satisfied with only these five ranges, greatly simplifying your spare transmitter and spare parts requirements.

MULTIDROP COMMUNICATIONS

Either point-to-point (Figure 20) or multidropping (Figure 21) is permitted. Multidropping is the connection of several transmitters to a single communications line. Communications between the host computer and transmitter takes place digitally, with the analog output of the transmitter fixed. With HART communication protocol, up to fifteen transmitters can be connected on a single twisted pair of wires or over leased telephone lines.

PROCESS CONNECTORS

Removable, gasketed process connectors allow a wide range of selections, including 1/4 NPT, 1/2 NPT, Rc 1/4, Rc 1/2, and weld neck connections. For highly corrosive chemical processes when a traditional structure is used (see transmitter structures further in document), two 1/2 NPT pvdf inserts (Figure 1) are installed in both 316 ss covers and are used as the process connectors. In these applications, tantalum is used as the sensor diaphragm material.

SENSOR CORROSION PROTECTION

For traditional structure, choice of 316L ss, Co-Ni-Cr, Hastelloy C, Monel, Gold-Plated 316L ss, and Tantalum materials. High corrosion resistance of Co-Ni-Cr (TI 037-078) means long service life in many difficult applications without the extra cost for exotic materials. See TI 037-75b for process applicability with Co-Ni-Cr and other process wetted materials.

For low profile structures LP1 and LP2, 316L ss and Hastelloy C are offered as sensor materials.

Refer to Transmitter Structures section that follows for description and application of traditional and low profile (LP1 and LP2) structures.

EASE OF INSTALLATION

Rotatable Topworks allows transmitter installation in tight places, allows indicator to be positioned in preferred direction, and eases field retrofit.

Two Conduit Entrances offer a choice of entry positions for ease of installation and self-draining of condensation regardless of mounting position and topworks rotation.

Wiring Guides and Terminations provide ease of wire entry and support, plenty of space to work and store excess wire, and large, rugged screw terminals for easy wire termination.

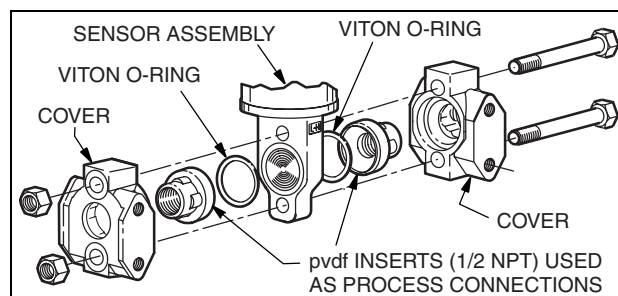


Figure 1. Bottomworks Shown with 1/2 NPT pvdf Inserts Installed in HI- and LO-Side Covers; with Traditional Structure

OPTIONAL MOUNTING BRACKET SETS

In addition to the standard style mounting bracket sets optionally offered with these transmitters, a unique universal style mounting bracket has been developed to allow wide flexibility in transmitter mounting configurations consistent with installation requirements. All mounting bracket sets allow mounting to a surface, pipe, or manifold. Refer to Dimensions - Nominal section.

OPTIONAL LCD DIGITAL INDICATOR)

A two-line digital indicator (Figure 22) with on-board pushbuttons is available to display the measurement with a choice of units. The pushbuttons allow zero and span adjustments, as well as local configuration without the need for a HART Communicator or PC-based configurator.

UNIQUE PROCESS COVER AND CELL BODY DESIGN

Biplanar Construction (Figure 2) maintains the traditional horizontal process connections and vertical mounting by providing a cell body contained between two process covers, while still achieving light weight, small size, and high standard static pressure rating of 25 MPa (3625 psi). This provides easy retrofit of any conventional differential pressure transmitter, and also is easily mounted in the horizontal position with vertical process connections, when required.

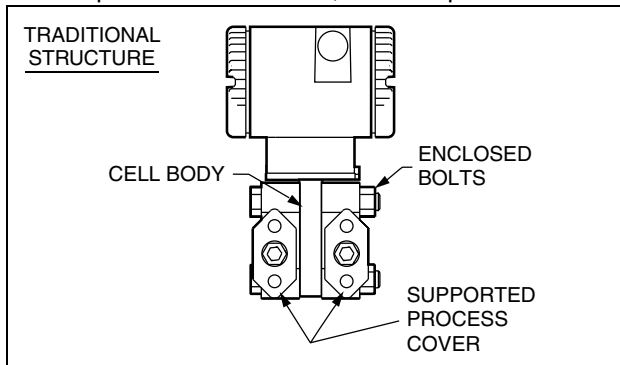


Figure 2. Biplanar Construction Shown with Traditional Horizontal Process Connections

Process Covers (Figure 2) are fully supported by the cell body over their entire height. This prevents bending and results in a highly reliable seal. Also, this provides dimensional stability to the process covers, ensuring that they will always mate properly with 3-valve bypass manifolds.

Process Cover Bolts (Figure 2) are enclosed to minimize corrosion and to minimize early elongation with rapid temperature increases. The design makes it less likely for the transmitter to release process liquid during a fire.

Process Cover Gaskets are ptfе as standard; ptfе provides nearly universal corrosion resistance, and eliminates the need to select and stock various elastomers to assure process compatibility.

Light Weight provides ease of handling, installation, and direct mounting without requiring costly pipe stands.

TRANSMITTER STRUCTURES

Traditional and low profile structures (LP1 and LP2) are offered to accommodate and to provide flexibility in transmitter installations. See paragraphs below.

Traditional Structure

The traditional structure (Figure 3) utilizes the right angle design common to most DP transmitters in use throughout the world. Process connections are oriented 90 degrees from the transmitter centerline.

This traditional structure makes it easy to retrofit any transmitters of similar design.

Sensor cavity venting and draining is provided for both vertical and horizontal transmitter installation, using innovative tangential connections to the sensor cavity (Figures 4 and 5). Optional side vents are offered for sensor cavity venting in the upright position (Figure 6).

An extensive variety of process-wetted materials are available for the process covers on this highly versatile and widely used transmitter.

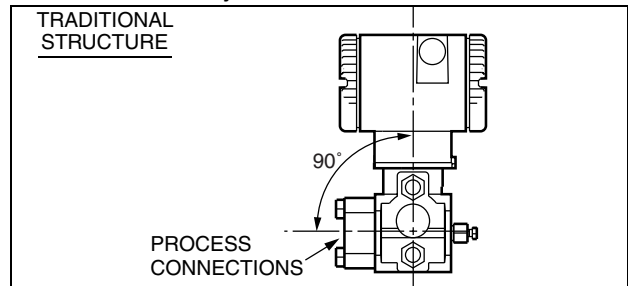


Figure 3. Vertical Mounting Showing Process Connections at 90 degrees

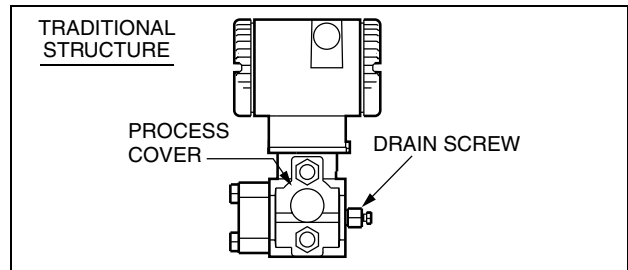


Figure 4. Vertical Mounting - Cavity Draining

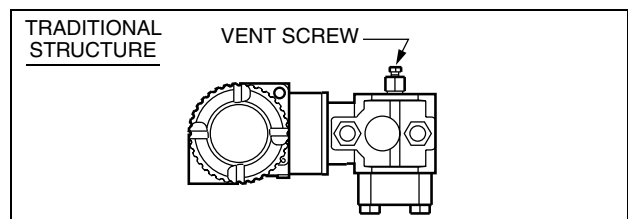


Figure 5. Horizontal Mounting - Cavity Venting, and Self-Draining into Process Line

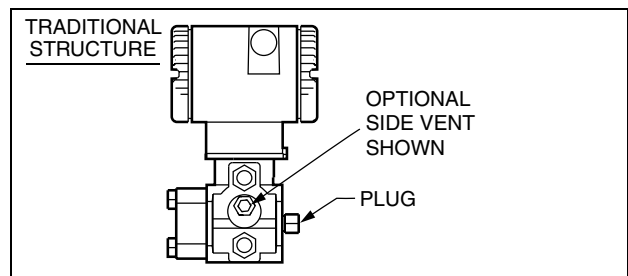


Figure 6. Vertical Mounting - Cavity Venting, and Self-Draining into Process Line

Low Profile Structures

The low profile structures utilize an in-line design, placing the process connections in line with the transmitter centerline (Figures 7 and 8). This allows mounting of the transmitter in the upright position with the process connections facing downward, for connection to vertical process piping or for mounting directly to a three- or five-valve manifold.

The low profile structures provide a mounting style similar to that used by competitive Coplanar™ transmitters. This makes it easy to select Foxboro transmitters for both retrofit and new applications where this type of installation is desired.

Transmitters with the low profile structure can be attached directly to existing, installed Coplanar manifolds, such as the Rosemount Model 305RC or Anderson Greenwood Models MC3, MC5G, and MC5P, by use of an optional adapter plate (Optional Feature Code P1, Figure 9). Also, when assembled to the same process piping or manifold as a Coplanar transmitter, one of the electrical conduit connections is located within \pm one inch of the similar conduit connection on the competitive transmitter, assuring ease of retrofit or conformance with installation design drawings.

All parts making up the low profile versions are identical to the parts in the traditional version except for the process covers and the external shape of the sensor cell body.

For user convenience, two types of low profile structures are offered, type LP1 and LP2. The process covers are the only transmitter parts that differ between structure types LP1 and LP2.

Refer to the sections that follow for further descriptions of low profile structures LP1 and LP2.

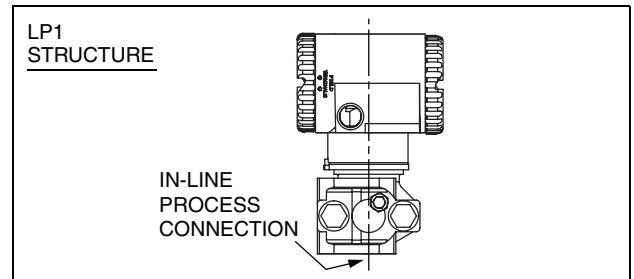


Figure 7. Low Profile Structure - LP1 Shown

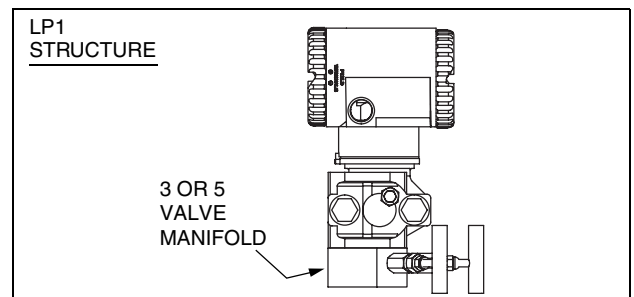


Figure 8. LP1 Shown Directly Mounted to Manifold

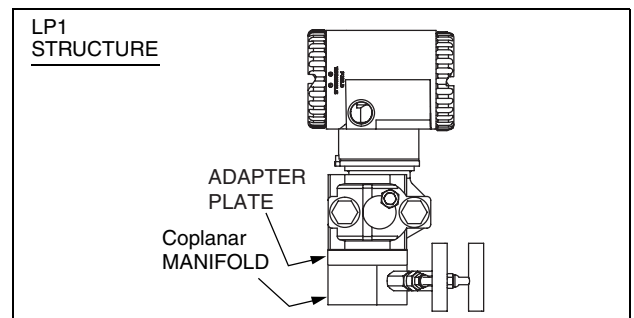


Figure 9. LP1 Shown Mounted to a Coplanar Manifold using an Optional Intermediate Adapter Plate

Low Profile Structure LP1 – Direct Mount

Structure LP1 is a compact, inexpensive, lightweight design for direct mounting to a separately mounted manifold or process piping. These transmitters are not typically bracket-mounted.

They are supplied as standard with a single vent/drain screw in the side of each process cover. In conjunction with the standard tangential venting and draining design, they are suitable for mounting either vertically (Figure 10) or horizontally, and are suitable for nearly all applications, including liquids, gases, and steam. For horizontal installation, they can simply be “turned over” (rotated 180 degrees - Figures 11 and 12) to orient the high and low pressure sides in the preferred locations. There is no need to unbolt process covers. The topworks housing can also be rotated, as shown, to orient the conduit connections in the desired position.

In the vertical, upright position, they are also self-draining and are ideal for gas flow rate service, when directly mounted to a manifold located above the horizontal pipeline. The vent screw can be omitted for this or other applications, if desired.

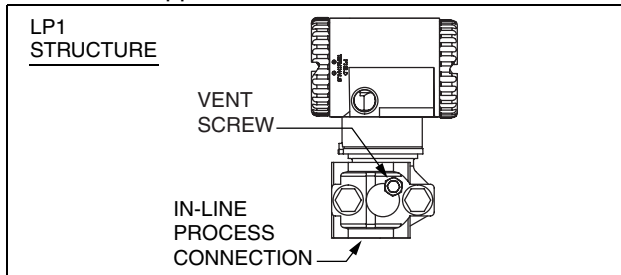


Figure 10. Upright Mounting

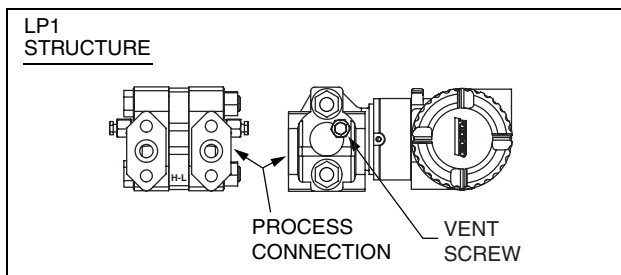


Figure 11. Horizontal Mounting with Vent Screw

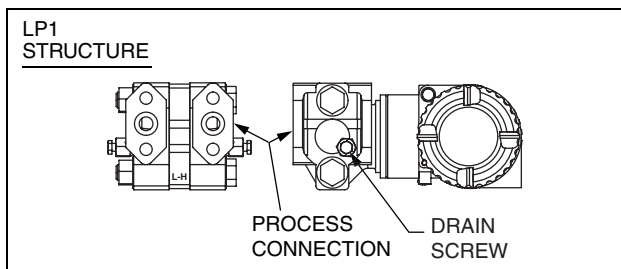


Figure 12. Horizontal Mounting with Drain Screw

Low Profile Structure LP2 - Bracket or Direct Mount

Structure LP2 is a universal design for either bracket or direct mounting. Drilled and tapped mounting holes facilitate mounting to either new or existing Foxboro brackets (Options -M1, -M2, and -M3), as well as standard brackets supplied with existing Coplanar transmitters. See Figures 13 and 14.

These transmitters can also be directly mounted to manifolds or process piping and are available with the same optional adapter used with low profile structure LP1 to fit existing Coplanar manifolds (Figure 15).

For extra convenience, they use a full-featured vent and drain design, with separate vent and drain screws positioned in each cover for complete venting or draining directly from the sensor cavity. They are normally recommended for upright, vertical installation.

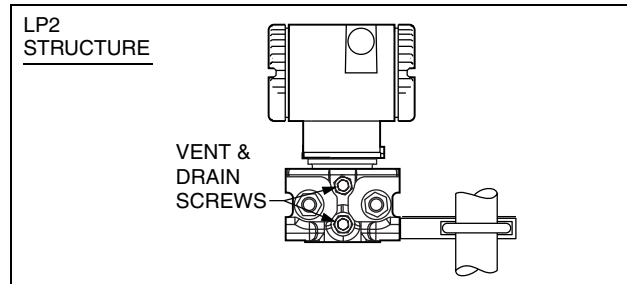


Figure 13. Shown on Foxboro Universal Bracket

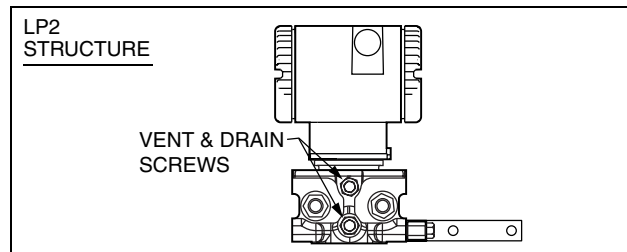


Figure 14. Shown on Coplanar Bracket

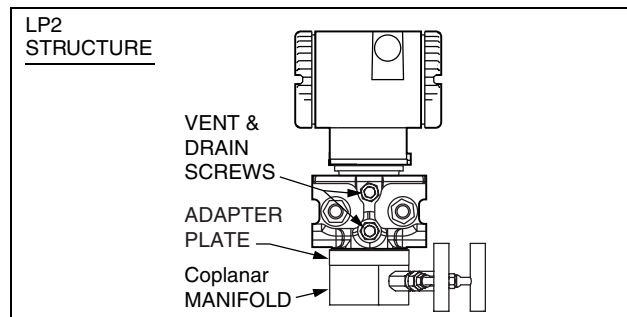


Figure 15. Adapter Mount to Existing Coplanar Manifold

PRESSURE SEALS

Pressure seals are used with transmitters having a traditional structure (see Transmitter Structures section above) when it is necessary to keep the transmitter isolated from the process. A sealed system is used for a process fluid that may be corrosive, viscous, subject to temperature extremes, toxic, sanitary, or tend to collect and solidify.

Table 1 lists the various pressure seals that can be used with an IDP10 Transmitter. To order a transmitter with seals, both a Transmitter Model Number and Seal Model Number are required. For a complete listing of pressure seal models and specifications, see PSS 2A-1Z11 A. Also see Figure 16 for typical pressure seal configurations.

Table 1. Pressure Seals Used with IDP10 Transmitters

Direct Connect Pressure Seal Assemblies		
Seal Model	Seal Description	Process Connections
PSFLT	Flanged, Direct Connect (Flanged Level), Flush or Extended Diaphragm	ANSI Class 150/300/600 flanges and BS/DIN PN 10/40, 10/16, 25/40 flanges
PSSCT	Sanitary, Direct Connect (Level Seal), Flush Diaphragm	Process Connection to Sanitary Piping with 2- or 3-inch Tri-Clamp
PSSST	Sanitary, Direct Connect (Level Seal), Extended Diaphragm	Process Connection to 2-in Mini Spud or 4-in Standard Spud; Tri-Clamp
Remote Mount, Capillary-Connected Pressure Seal Assemblies		
Seal Model	Seal Description	Process Connections
PSFPS	Flanged, Remote Mount, Flush Diaphragm	ANSI Class 150/300/600 flanges and BS/DIN PN 10/40 flanges
PSFES	Flanged, Remote Mount, Extended Diaphragm	ANSI Class 150/300/600 flanges and BS/DIN PN 10/40, 10/16, 25/40 flanges
PSFAR	Flanged, Remote Mount, Recessed Diaphragm	ANSI Class 150/300/600/1500 flanges
PSTAR	Threaded, Remote Mount, Recessed Diaphragm	1/4, 1/2, 3/4, 1, or 1 1/2 NPT internal thread
PSISR	In-Line Saddle Weld, Remote Mount, Recessed Diaphragm	Lower housing of seal is in-line saddle welded to nominal 3- or 4-inch (and larger) Pipe
PSSCR	Sanitary, Remote Mount, Flush Diaphragm	Process Connection secured with a Tri-Clamp to a 2- or 3-inch pipe
PSSSR	Sanitary, Remote Mount, Extended Diaphragm	Process Connection to 2-in Mini Spud or 4-in Standard Spud; Tri-Clamp



Figure 16. Typical Pressure Seals used with IDP10 Transmitters

TRANSMITTER FUNCTIONAL BLOCK DIAGRAM - Figure 17

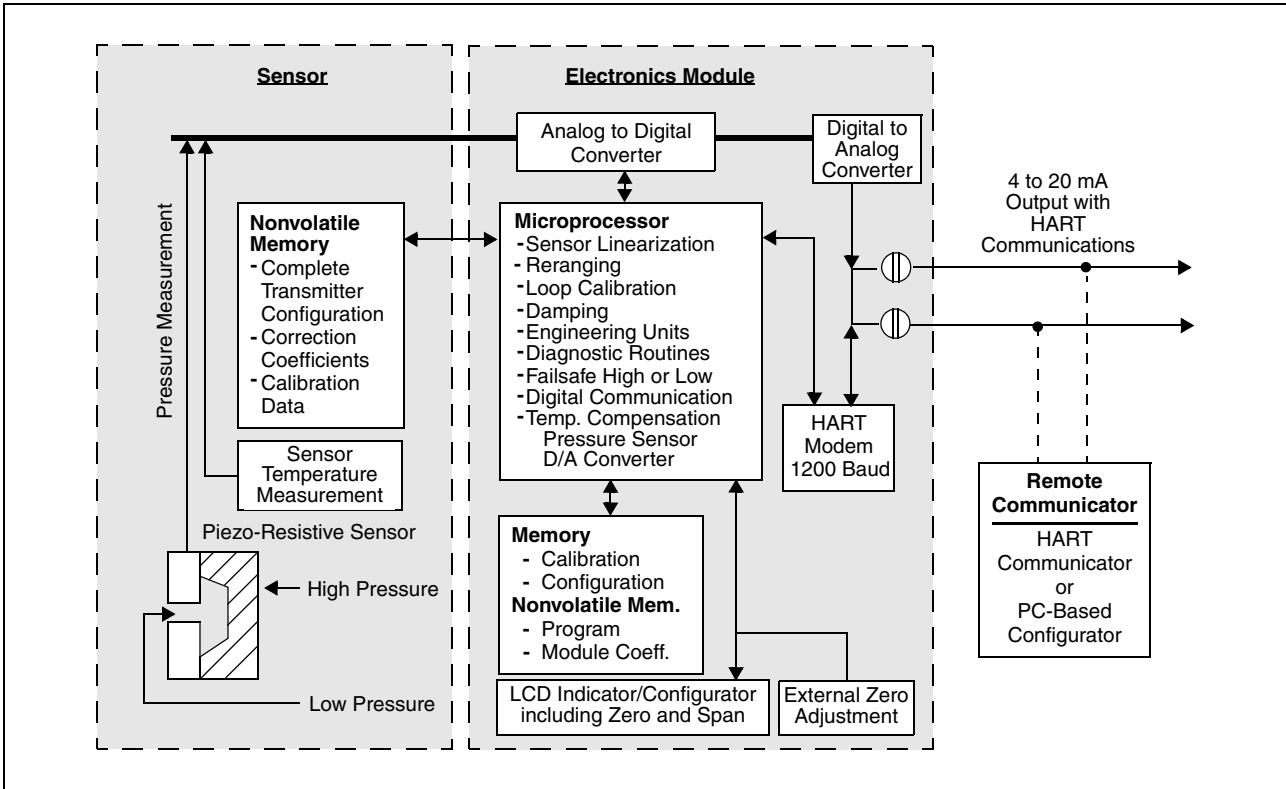


Figure 17. Transmitter Functional Block Diagram

FUNCTIONAL SPECIFICATIONS

Span Limits for IDP10 d/p Cell Transmitters

Code	kPa	psi	mbar	mmHg	mmH ₂ O	inH ₂ O
A (a)	0.12 and 7.5	0.018 and 1.1	1.2 and 75	0.93 and 56	12 and 750	0.5 and 30
B	0.87 and 50	0.125 and 7.2	8.7 and 500	6.5 and 375	87 and 5000	3.5 and 200
C	7 and 210	1 and 30	70 and 2100	50 and 1500	700 and 21 000	28 and 840
Code	MPa	psi	bar or kg/cm ²	mHg	mH ₂ O	ftH ₂ O
D	0.07 and 2.1	10 and 300	0.7 and 21	0.5 and 15	7 and 210	23 and 690
E (b)	0.7 and 21(b)	100 and 3000 (b)	7 and 210 (b)	5 and 150 (b)	70 and 2100 (b)	230 and 6900 (b)

(a) Span Limit Code "A" not available when pressure seals are selected.

(b) When certain options are specified, the upper span and range limits are reduced as shown in the "Options Impact" table below.

Range Limits for IDP10 d/p Cell Transmitters (a)

Code	kPa	psi	mbar	mmHg	mmH ₂ O	inH ₂ O
A (b)	-7.5 and +7.5	-1.1 and +1.1	-75 and +75	-56 and +56	-750 and +750	-30 and +30
B	-50 and +50	-7.2 and +7.2	-500 and +500	-375 and +375	-5000 and +5000	-200 and +200
C	-210 and +210	-30 and +30	-2100 and +2100	-150 and +150	-21 000 and +21 000	-840 and +840
Code	MPa	psi	bar or kg/cm ²	mHg	mH ₂ O	ftH ₂ O
D	-0.21 and +2.1	-30 and +300	-2.1 and +21	-1.5 and +15	-21 and +210	-69 and +690
E (c)	-0.21 and 21 (c)	-30 and +3000 (c)	-2.1 and +210 (c)	-1.5 and +150 (c)	-21 and +2100 (c)	-69 and +6900 (c)

(a) Positive values indicate HI side of sensor at the high pressure, and negative values indicate LO side of sensor at the high pressure.

(b) Span Limit Code "A" not available when pressure seals are selected.

(c) When certain options are specified, the upper span and range limits are reduced as shown in the "Options Impact" table below.

Impact of Certain Options on Span and Range Limits (a)

Option	Description (Also see Model Code)	Span and Range Limits Derated to:
-B3	B7M Bolts and Nuts (NACE)	20 MPa (2900 psi, 200 bar, or kg/cm ²)
-D1	DIN Construction	16 MPa (2320 psi, 160 bar or kg/cm ²)
-D5 or -B1	DIN Construction or 316 ss Bolting	15 MPa (2175 psi, 150 bar or kg/cm ²)
-D2, -D4, -D6, or -D8 (a)	DIN Construction (a)	10 MPa (1500 psi, 100 bar or kg/cm ²) (a)

(a) Refer to Model Code section for application and restrictions related to the items listed in the table.

Maximum Static and Proof Pressure Ratings for IDP10 d/p Cell Transmitters (a)

Transmitter Configuration (See Model Code for Description of Options)	Static Pressure Rating			Proof Pressure Rating (b)		
	MPa	psi	bar or kg/cm ²	MPa	psi	bar or kg/cm ²
With Option -D9 or -Y	40	5800	400	100	14500	1000
Standard or with Option -B2, -D3, or -D7	25	3625	250	100	14500	1000
With Option -B3	20	2900	200	70	11150	700
With Option -D1	16	2320	160	64	9280	640
With Option -B1 or -D5	15	2175	150	60	8700	600
With Option -D2, -D4, -D6, or -D8	10	1500	100	40	6000	400
With Structure Codes 78 and 79 (pvd insert)	2.1	300	21	8.4	1200	84

(a) Refer to Model Code section for application and restrictions related to the items listed in the table.

(b) Proof pressure ratings meet ANSI[®]/ISA[®] Standard S82.03-1988. Unit may become nonfunctional after application of proof pressure.

Output Signal and Configuration

4 to 20 mA with HART Communications. When configured for multidrop applications, the mA signal is fixed at 4 mA to provide power to the device. Configurable using a HART Communicator, PC-based Configurator, or optional LCD Indicator with on-board pushbuttons.

Field Wiring Reversal

No transmitter damage.

Suppressed Zero and Elevated Zero

Suppressed/elevated zero ranges are acceptable as long as the Span/Range Limits are not exceeded.

Electronics and Sensor Temperatures

Readable from the HART Communicator, PC-based Configurator, or optional LCD Indicator with on-board pushbuttons. Measurement is transmitter temperature, not necessarily process temperature.

FUNCTIONAL SPECIFICATIONS (Cont.)

Adjustable Damping

Response time is normally 0.75 s, or electronically adjustable setting of 0.00 (none), 0.25, 0.50, 1, 2, 4, 8, 16, or 32 seconds, whichever is greater, for a 90% recovery from an 80% input step as defined in ANSI/ISA S51.1. (For 63.2% recovery, 0.50 s with sensors B to E, and 0.60 s with Sensor A.)

Zero and Span Adjustments

Zero and span adjustments can be initiated from the HART Communicator, PC-based Configurator, or optional LCD Indicator having on-board pushbuttons.

Zeroing for Nonzero-Based Ranges

Dual Function Zeroing allows zeroing with the transmitter open to atmosphere, even when there is a nonzero-based range. This greatly simplifies position effect zeroing on many pressure and level applications. It applies to optional LCD Indicator with on-board pushbuttons and optional External Zero Adjustment.

Current Outputs for Overrange, Fail, and Offline Conditions

OFFLINE	User configurable between 4 and 20 mA
SENSOR FAILURE	User configurable to Fail LO or Fail HI
FAIL LO	3.60 mA
UNDERRANGE	3.80 mA
OVERRANGE	20.50 mA
FAIL HI	21.00 mA

Write Protect Jumper

Can be positioned to lock out all configurators from making transmitter database changes. This makes transmitter suitable for Safety Shutdown System Applications that require this feature.

Square Root Low Flow Cutoff

User configurable using Model 275, or optional LCD with on-board pushbuttons to provide:

- Cutoff to zero at flows <10% of maximum flow (1% of maximum differential pressure).
- Or active point-to-point line between zero and 20% of maximum flow (4% of maximum differential pressure).

Minimum Allowable Absolute Pressure vs. Transmitter Temperature

WITH SILICONE FILL FLUID

Full vacuum: up to 121°C (250°F)

WITH FLUORINERT FILL FLUID

Refer to Figure 18.

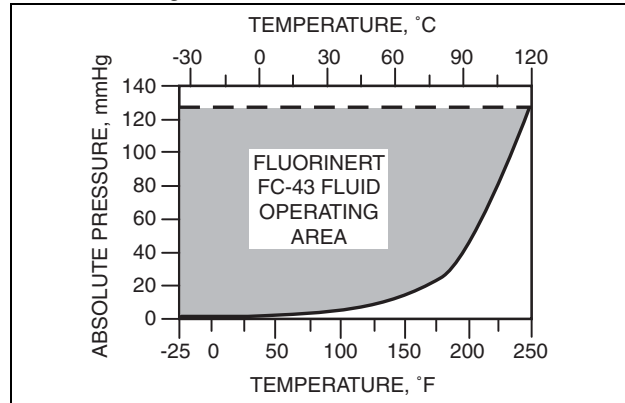
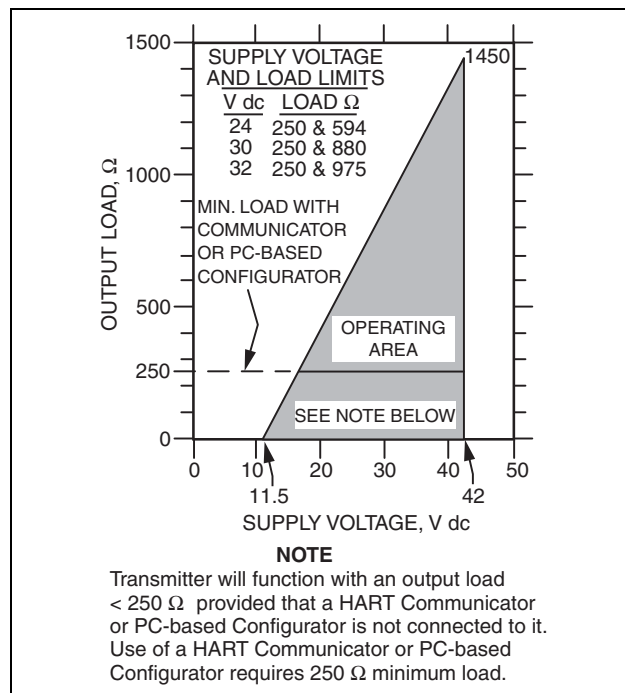


Figure 18. Minimum Allowable Absolute Pressure vs. Transmitter Temperature, Fluorinert FC-43, 2.6 cSt at 25°C (77°F)

Supply Voltage Requirements and External Loop Load Limitations (Figure 19)

Minimum voltage shown in Figure 19 is 11.5 V dc. This value can be reduced to 11 V dc by using a plug-in jumper across the test receptacles in the field wiring compartment terminal block. See Figure 23.



FUNCTIONAL SPECIFICATIONS (Cont.)

Configuration and Calibration Data

All factory characterization data and user configuration and calibration data are stored in the sensor, as shown in the transmitter block diagram, Figure 17. This means that the electronics module may be replaced, with one of like type, without the need for reconfiguration or recalibration. Replacing the module can affect accuracy by a maximum of 0.20% of span. Error can be removed by a mA trim that does not require application of pressure.

Electronics Upgradeability

As stated above, all factory characterization data is stored in the sensor and is accessed by each electronics module type. This means that electronics modules can be changed from one type to another, allowing for easy upgrade from an analog output type to a fully intelligent type module. Changing module types may require reconfiguration and recalibration, but all factory characterization data is retained.

Communications

Configurable for either Analog (4 to 20 mA) or Multidrop Mode. Digital communications is provided in both modes based upon the FSK (Frequency Shift Keying) technique which alternately superimposes one of two different frequencies on the uninterrupted current carried by the two signal/power wires. ANALOG MODE (4 to 20 mA)

The 4 to 20 mA output signal is updated 30 times per second. Digital communications between the transmitter and HART Communicator or PC-based Configurator is rated for distances up to 3050 m (10 000 ft). The communications rate is 1200 baud and requires a minimum loop load of 250 ohms. See Figure 20.

MULTIDROP MODE (FIXED CURRENT)

Multidrop Mode supports communications with up to 15 transmitters on a single pair of signal/power wires. The digital output signal is updated 4 times per second and carries pressure measurement and sensor/electronics temperatures (internal recalculation rate for temperature is once per second). Communications between the transmitter and the system, or between the transmitter and HART Communicator or PC-based Configurator, is rated for distances up to 1525 m (5000 ft). The digital communications rate is 1200 baud and requires a minimum loop load of 250 ohms. See Figure 21.

Remote Communications

The HART Communicator or PC-based Configurator has full access to all of the “Display” and “Display and Reconfigure” items listed below. It may be connected to the communications wiring loop and does not disturb the mA current signal. Plug-in connection points are provided on the transmitter terminal block.

“Display” Items

- Process Measurement in Two Formats
- Transmitter Temperatures (Electronics and Sensor)
- mA Output

“Display and Reconfigure” Items

- Zero and Span Calibration
- Reranging without Pressure
- Linear or Square Root Output
- Choice of Pressure and Flow EGU
- Electronic Damping
- Temperature Sensor Failure Strategy
- Failsafe Direction
- Tag, Descriptor, and Message
- Date of Last Calibration

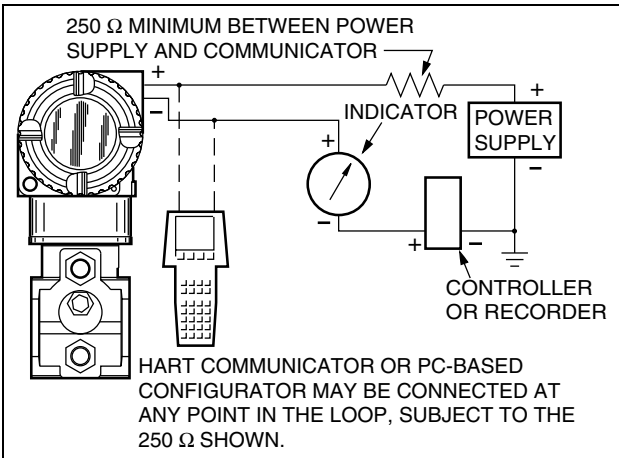


Figure 20. 4 to 20 mA Output Block Diagram

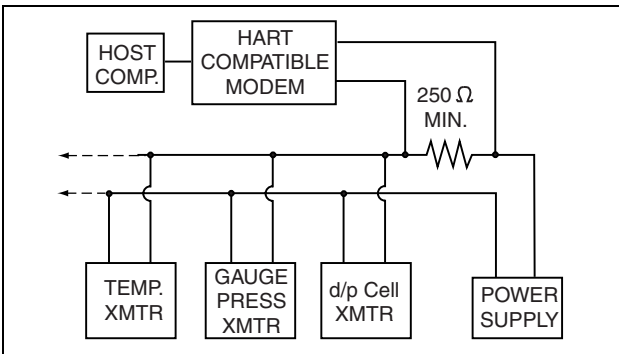


Figure 21. Typical Multidrop Block Diagram

FUNCTIONAL SPECIFICATIONS (Cont.)

Configuration Capability

CALIBRATED RANGE

- Input range within Span and Range Limits
- One of pressure units shown in Table 2

OUTPUT MEASUREMENT #1 –

DIGITAL PRIMARY VARIABLE AND 4 TO 20 MA Mode

Linear or Square Root

Units for Linear Mode

One of pressure units shown in Table 2

Units for Square Root Mode

One of flow units shown in Table 3

OUTPUT MEASUREMENT #2 –

DIGITAL SECONDARY VARIABLE

Mode

Linear or Square Root (independent of Measurement #1)

Units for Linear Mode

One of pressure units shown in Table 2

Units for Square Root Mode

One of flow units shown in Table 3.

Table 2. Available Pressure Units(a)

inH ₂ O	psi	Pa	atm	g/cm ²
ftH ₂ O	inHg	kPa	bar	kg/cm ²
mmH ₂ O	mmHg	MPa	mbar	torr

(a) See Optional LCD Indicator for percent (%) display.

Table 3. Square Root (Flow) Units

% flow	gal/s	m ³ /s	ft ³ /s	lgal/s	bbl/s
l/s	gal/m	m ³ /m	ft ³ /m	lgal/m	bbl/m
l/h	gal/h	m ³ /h	ft ³ /h	lgal/h	bbl/h
l/d	gal/d	m ³ /d	ft ³ /d	lgal/d	bbl/d
MI/d	Mgal/d				

Optional Custom Configuration (Option -C2)

For the transmitter to be custom configured by the factory, the user must fill out a data form. If this option is not selected, a standard default configuration will be provided; for example:

Parameter	Standard (Default) Config.	Example of Custom Configuration (Option -C2)
Tagging Info.		
Tag (8 char. max.)	TAG	FT103A
Descriptor (16 char. max.)	TAG NAME	FEEDWATER
Message (32 char. max.)	LOCATION	BUILDING 4
HART Poll Address (0 to 15)	0	0 (a)
Calibrated Range		
Pressure EGU	per S.O. (b)	inH ₂ O
LRV	per S.O. (c)	0
URV	per S.O. (c)	100
Measurement #1		
Linear/Sq. Root (Flow)	Linear	Sq. Rt
Pressure/Flow EGU	per S.O. (d)	gal/m
Range	per S.O. (d)	0-500 gal/m
Output	4 to 20 mA	4 to 20 mA (e)
Measurement #2		
Linear/Sq. Root (Flow)	Linear	Linear
Pressure/Flow EGU	per S.O. (d)	inH ₂ O
Range	per S.O. (d)	0-100
Other		
Electronic Damping	None	0.5 s
Failsafe Direction	Upscale	Downscale
Temperature Sensor Failure Strategy	Continue	Failsafe
Ext. Zero Option	Enabled	Disabled

(a) Address is 1 to 15 for multidrop applications.

(b) See Table 2. If not specified, the factory default calibration is zero to maximum span; default units vary by sensor code.

(c) Within Span and Range Limits for selected sensor code.

(d) Same as Calibrated Range.

(e) Fixed current is used for multidrop applications.

Any of the above configurable parameters can easily be changed using the HART Communicator or PC-based Configurator.

FUNCTIONAL SPECIFICATIONS (Cont.)

Optional Liquid Crystal Display (LCD) Digital Indicator with Pushbuttons (Figure 22)

Indicator Provides:

- Two Lines; Five numeric characters on top line (four when a minus sign is needed); and seven alphanumeric characters on bottom line.
- Measurement Readout; Value displayed on top line, and units label displayed on bottom line.
- Configuration and Calibration prompts.

Pushbuttons (two) Provide the Following Configuration and Calibration Functions:

- Zero and Span settings, non-interactive to automatically set output to either 4 mA or 20 mA using the "NEXT" and "ENTER" pushbuttons.
- 4 and 20 mA Jog Settings, allowing the user to easily increment the mA output signal up or down in fine steps to match a value shown on an external meter.
- Linear or Square Root Output
- Forward or Reverse Output
- Damping Adjustment
- Enable/Disable Optional External Zero
- Temperature Sensor Failure Strategy
- Failsafe Action
- Units Label (Bottom Line of Display)
- Settable Lower and Upper Range Values for Transmission and Display (Top Line)
- Reranging
- Percent (%) Output

Optional External Zero Adjustment

An external pushbutton (Figure 22) mechanism is isolated from electronics compartment and magnetically activates an internal reed switch through the housing. This eliminates a potential leak path for moisture or contaminants to get into the electronics compartment. This zero adjustment can be disabled by a configuration selection.

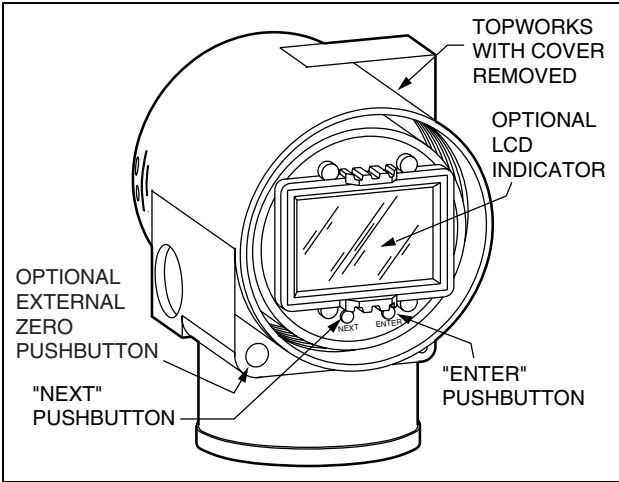


Figure 22. LCD Indicator with On-Board Pushbuttons

OPERATING, STORAGE, AND TRANSPORTATION CONDITIONS

Influence	Reference Operating Conditions	Normal Operating Conditions (a)	Operative Limits (a)	Storage and Transportation Limits
Process Connection Temp. • with Silicone Fill Fluid • with Fluorinert Fill Fluid	• 24 ±2°C (75 ±3°F) • 24 ±2°C (75 ±3°F)	• -29 to + 82°C (-20 to +180°F) • -29 to + 82°C (-20 to +180°F)	• -46 and +121°C (b) (-50 and +250°F) (b) • -29 and +121°C (-20 and +250°F)	• Not Applicable • Not Applicable
Electronics Temperature • with LCD Indicator (c)	• 24 ±2°C (75 ±3°F) • 24 ±2°C (75 ±3°F)	• -29 to + 82 °C (-20 to +180 °F) • -20 to + 82 °C (-4 to +180 °F)	• -40 and +85°C (-40 and +185°F) • -29 and +85°C (-20 and +185°F)	• -54 and +85°C (-65 and +185°F) • -54 and +85°C (-65 and +185°F)
Relative Humidity (d)	50 ±10%	0 to 100%	0 and 100%	0 and 100% Noncondensing
Supply Voltage – mA Output	30 ±0.5 V dc	11.5 to 42 V dc (e)	11.5 and 42 V dc (e)	Not Applicable
Output Load – mA Output	650 Ω	0 to 1450 Ω	0 and 1450 Ω	Not Applicable
Vibration	1 m/s ² (0.1 “g”)	6.3 mm (0.25 in) Double Amplitude: from 5 to 15 Hz with Aluminum Housing and from 5 to 9 Hz with 316 ss Housing ----- 0 to 30 m/s ² (0 to 3 “g”) from 15 to 500 Hz with Aluminum Housing; and 0 to 10 m/s ² (0 to 1 “g”) from 9 to 500 Hz with 316 ss Housing	11 m/s ² (1.1 “g”) from 2.5 to 5 Hz (in Shipping Package)	
Mounting Position	Upright or Horizontal (f)	Upright or Horizontal (f)	No Limit	Not Applicable

- (a) When Traditional Structure Codes 78/79 (pvd inserts in Hi- and Lo-side process covers) are used, maximum overrange is 2.1 MPa (300 psi), and temperature limits are -7 and +82°C (20 and 180°F); when DIN Construction Options D2/D4/D6/D8 are used, temperature limits are 0 and 60°C (32 and 140°F).
- (b) Selection of Option -J extends the low temperature operative limit of transmitters with silicone filled sensors down to -50°C (-58°F).
- (c) Although the LCD will not be damaged at any temperature within the “Storage and Transportation Limits”, updates will be slowed and readability decreased at temperatures outside the “Normal Operating Conditions”.
- (d) With topworks cover on and conduit entrances sealed.
- (e) 11.5 V dc can be reduced to 11 V dc by using a plug-in shorting bar; see “Supply Voltage Requirements” section and Figure 23.
- (f) Sensor process wetted diaphragms in a vertical plane.

PERFORMANCE SPECIFICATIONS

Zero-Based Calibrations; Cobalt-Nickel-Chromium or Stainless Steel Sensor w/Silicone Fluid; Under Reference Operating Conditions unless otherwise Specified. URL = Upper Range Limit and Span = Calibrated Span.

Accuracy (Includes Linearity, Hysteresis, and Repeatability)

Output	Accuracy,% of Span (a)(b)
Digital Linear	±0.050%
4 to 20 mA Linear	±0.075%
Digital Square Root	±0.080%
4 to 20 mA Square Root	±0.105%

(a) For spans equal to or greater than 10% of URL.

(b) Add ±0.05% for Span Code A, and add ±0.02% for Span Code E.

Small Span Accuracy for Spans Less Than 10% of URL

$$\pm [(x)(\text{URL}/\text{Span}) + (y)] \% \text{ of Span}$$

Values of x and y for Small Span Accuracies

Output	x and y Values for Span Code:				
	A	B	C	D	E
Digital Linear	x = 0.002 y = 0.080	x = 0.0032 y = 0.018	x = 0.0046 y = 0.004	x = 0.008 y = -0.030	x = 0.0036 y = 0.034
4 to 20 mA Linear	x = 0.002 y = 0.105	x = 0.0032 y = 0.043	x = 0.0046 y = 0.029	x = 0.008 y = -0.005	x = 0.0036 y = 0.059
Digital Sq. Root	x = 0.0026 y = 0.104	x = 0.0044 y = 0.036	x = 0.006 y = 0.020	x = 0.011 y = -0.030	x = 0.0051 y = 0.049
4 to 20 mA Sq. Root	x = 0.0026 y = 0.129	x = 0.0044 y = 0.061	x = 0.006 y = 0.045	x = 0.011 y = -0.005	x = 0.0051 y = 0.074

Stability

Long term drift is less than ±0.05% of URL per year over a 5-year period.

Power-up Time

Less than 5 seconds for output to reach first valid measurement.

RFI Effect

The output error is less than 0.1% of span for radio frequencies in the range of 27 to 1000 MHz and field intensity of 30 V/m when the transmitter is properly installed with shielded conduit and grounding, and housing covers are in place. (Per IEC Std. 801-3.)

Supply Voltage Effect

Output changes less than 0.005% of span for each 1 V change within the specified supply voltage requirements. See Figure 19.

Vibration Effect

Total effect is ±0.2% of URL per “g” for vibrations in the frequency range of 5 to 500 Hz; with double amplitudes of 6.3 mm (0.25 in) in the range of 5 to 15 Hz, or accelerations of 3 “g” in the range of 15 to 500 Hz, whichever is smaller, for transmitter with aluminum housings; and with double amplitudes of 6.3 mm (0.25 in) in the range of 5 to 9 Hz, or accelerations of 1 “g” in the range of 9 to 500 Hz, whichever is smaller, for transmitter with 316 ss housings.

Position Effect

Any zero effect caused by mounting position can be eliminated by zeroing. There is no span effect.

Static Pressure Effect

The zero and span shift for a 7 MPa, 1000 psi, change in static pressure is:

ZERO SHIFT

Span Code	Specification
A	±0.30% URL (a)
B and C	±0.10% URL
D	±0.75% URL
E	±0.50% URL

(a) Per 3.5 MPa (500 psi) for Span Code A.

SPAN SHIFT

±0.25% of Reading (±0.30% for Span Code A)

Switching and Indirect Lightning Transients

The transmitter can withstand a transient surge up to 2000 V common mode or 1000 V normal mode without permanent damage. The output shift is less than 1.0%. (Per ANSI/IEEE C62.41-1980 and IEC Std. 801-5.)

Ambient Temperature Effect

Total effect for a 28°C (50°F) change within Normal Operating Condition limits is:

Span Code	Ambient Temperature Effect
A	±(0.18% URL + 0.025% Span)
B and C	±(0.03% URL + 0.060% Span)
D	±(0.05% URL + 0.045% Span)
E	±(0.08% URL + 0.025% Span)

NOTE

For additional ambient temperature effect when pressure seals are used, see PSS 2A-1Z11 A.

PHYSICAL SPECIFICATIONS

Process Cover and Connector Material (Process Wetted)

Carbon Steel, 316 ss, Monel, Hastelloy C, or pvdf (Kynar) inserts in 316 ss covers for transmitter traditional structure; and 316 ss for transmitter low profile structures. For exceptional value and corrosion resistance, 316 ss is the least expensive material.

Process Cover and Process Connection Gaskets

Glass filled ptfе, or Viton when Structure Codes 78/79 (pvdf inserts) are used.

Process Cover Bolts and Nuts

ASTM A193, Grade B7 high strength alloy steel for bolts, and ASTM A194 Grade 2H high strength alloy steel for nuts are standard. Options include NACE Class B7M bolting, 17-4 ss bolting, and 316 ss bolting.

Sensor Material (Process Wetted)

Co-Ni-Cr, 316 L ss, Gold-Plated 316L ss, Monel, Hastelloy C, or Tantalum for transmitter traditional structure; and 316L ss or Hastelloy C for transmitter low profile structures. For exceptional value and corrosion resistance, 316L ss is the least expensive material. Refer to TI 037-078 and TI 37-75b for information regarding the corrosion resistance of Co-Ni-Cr and other sensor materials.

Sensor Fill Fluids

Silicone Oil or Fluorinert (FC-43)

Environmental Protection

Transmitter is dusttight and weatherproof per IEC IP66 and provides the environmental and corrosion resistant protection of NEMA Type 4X.

Electronics Housing and Housing Covers

Housing has two compartments to separate the electronics from the field connections. The housing and covers are made from low copper, die-cast aluminum alloy with an epoxy finish, or from 316 ss. Buna-N O-ring seals are used to seal the threaded housing covers, housing neck, and terminal block.

Electrical Connections

Field and RTD sensor wires enter through 1/2 NPT, PG 13.5, or M20 threaded entrances, as specified, on either side of the electronics housing. Wires terminate under screw terminals and washers on terminal block in the field terminal compartment. Unused entrance is plugged to insure moisture and RFI/EMI protection. See Figure 23.

Electronics Module

Printed wiring assemblies are conformally coated for moisture and dust protection.

Mounting Position

The transmitter may be mounted in any orientation.

Approximate Mass (with Process Connectors)

- 4.2 kg (9.2 lb) – with Traditional Structure
- Add 0.1 kg (0.2 lb) – with Low Profile Structure LP1
- Add 0.8 kg (1.8 lb) – with Low Profile Structure LP2
- Add 1.1 kg (2.4 lb) – with 316 ss Housing
- Add 0.2 kg (0.4 lb) – with LCD Indicator Option

Dimensions

See "Dimensions - Nominal" section and Dimensional Print DP 020-446.

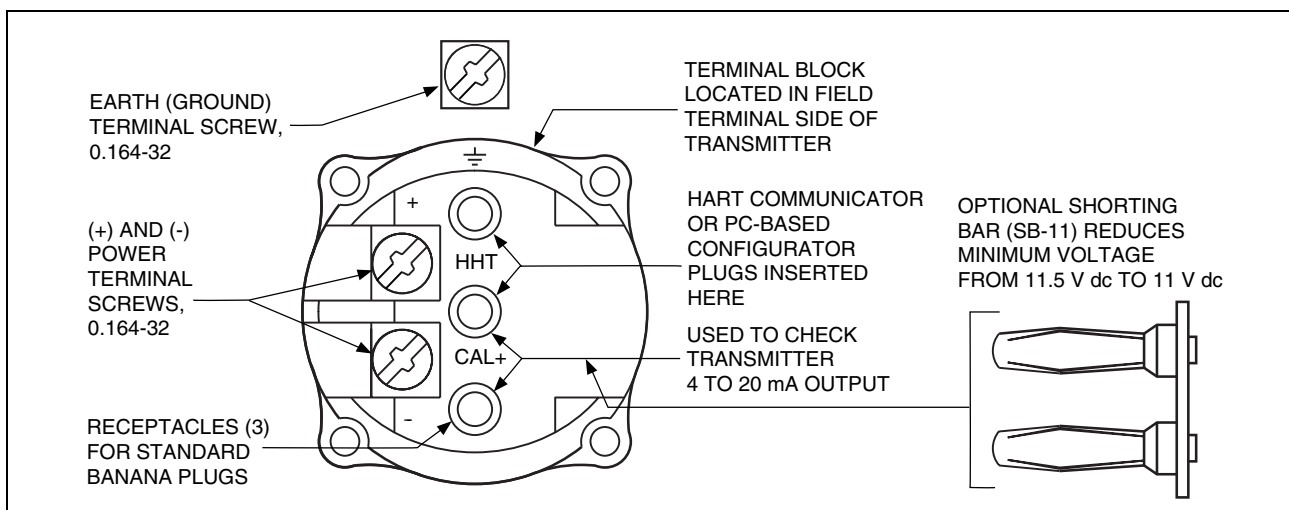


Figure 23. Field Terminal Block

ELECTRICAL SAFETY SPECIFICATIONS

Testing Laboratory, Types of Protection, and Area Classification	Electrical Safety Design Code
ATEX intrinsically safe; II 1 GD, EEx ia IIC, Zone 0; or II 1/2 G EEx ib IIC, Zone 0/Zone 1.	E
ATEX flameproof; II 2 GD, EEx d IIC, Zone 1.	D
ATEX protection n; II 3 GD, EEx nL IIC, Zone 2.	N
ATEX multiple certifications, ia and ib, d, and n. Refer to ATEX Codes E, D, and N for details.	M
CSA intrinsically safe for Class I, Division 1, Groups A, B, C, and D; Class II, Division 1, Groups E, F, and G, and Class III, Division 1. Also Class I, Division 2, Groups F and G; and Class III, Division 2. Explosionproof for Class I, Division 1, Groups B, C, and D; and dust-ignitionproof for Class II, Division 1, Groups E, F, and G, and Class III, Division 1. Also zone certified intrinsically safe Ex ia IIC, and also Ex n IIC.	C
CSA zone certified flameproof Ex d IIC. Also explosionproof for Class I, Division 1, Groups B, C, and D, and dust-ignitionproof for Class II, Division 1, Groups E, F, and G, and Class III, Division 1. Also intrinsically safe for Class I, Division 1, Groups A, B, C, and D, Class II, Division 1, Groups E, F, and G, and Class III, Division 1 and Class I, Division 2, Groups F and G; and Class III, Division 2. Also zone certified intrinsically safe Ex ia IIC.	B
FM intrinsically safe for Class I, Division 1, Groups A, B, C, and D; Class II, Division 1, Groups E, F, and G; and Class III, Division 1. Also nonincendive Class I, Division 2, Groups F and G; and Class III, Division 2. Explosionproof for Class I, Division 1, Groups B, C, and D; and dust-ignitionproof for Class II, Division 1, Groups E, F, G; and Class III, Division 1. Also zone approved intrinsically safe AEx ia IIC and nonincendive AEx n IIC.	F
FM zone approved flameproof AEx d IIC. Also explosionproof for Class I, Division 1, Groups B, C, and D and dust-ignitionproof for Class II, Division 1, Groups E, F, and G, and Class III, Division 1. Also intrinsically safe for Class I, Division 1, Groups A, B, C, and D; Class II, Division 1, Groups E, F, and G; and Class III, Division 1; and nonincendive Class I, Division 2, Groups F and G; and Class III, Division 2. Also zone approved intrinsically safe AEx ia IIC and nonincendive AEx n IIC.	G
SAA Ex ia IIC, intrinsically safe, Gas Group IIC, Zone 0	H
SAA Ex d IIC, flameproof, Gas Group IIC, Zone 1.	A
SAA Ex n IIC, nonincendive, Gas Group IIC, Zone 2	K

NOTES

1. Transmitter has been designed to meet the electrical safety descriptions listed. Contact Invensys Foxboro for information or status of testing laboratory approvals or certifications.
2. See Model Code for availability of Electrical Safety Design Codes with particular transmitter structures.
3. Refer to applicable Instruction Manual for application conditions and connectivity requirements.

WARNING

When selecting ATEX Safety Design Code M, the user must permanently mark (check off in rectangle block on data plate) one type of protection only (ia and ib, d, or n), and must not change this mark.

MODEL CODE

Description	Model		
I/A Series, Electronic d/p Cell Transmitter for Differential Pressure Measurement	IDP10		
Electronics Versions and Output Signal Intelligent; Digital, HART and 4 to 20 mA (Version -T)	-T		
Structure Code - Select from one of the following six groups:			
1. Transmitter with Traditional Structure			
Covers	Sensor		
Fill Fluid			
Steel	Co-Ni-Cr	Silicone	10
Steel	Co-Ni-Cr	Fluorinert	11
Steel	316L ss	Silicone	12
Steel	316L ss	Fluorinert	13
Steel	Hastelloy C	Silicone	16
Steel	Hastelloy C	Fluorinert	17
316 ss	Co-Ni-Cr	Silicone	20
316 ss	Co-Ni-Cr	Fluorinert	21
316 ss	316L ss	Silicone	22
316 ss	316L ss	Fluorinert	23
316 ss	316L ss, Gold Plated	Silicone	2G
316ss	Monel	Silicone	24
316 ss	Monel	Fluorinert	25
316 ss	Hastelloy C	Silicone	26
316 ss	Hastelloy C	Fluorinert	27
Monel	Monel	Silicone	34
Monel	Monel	Fluorinert	35
Hastelloy C	Hastelloy C	Silicone	46
Hastelloy C	Hastelloy C	Fluorinert	47
Hastelloy C	Tantalum	Silicone	48
Hastelloy C	Tantalum	Fluorinert	49
pvdf Insert (Kynar)	Tantalum	Silicone (Used w/Process Connector Type 7)	78 (a)
pvdf Insert (Kynar)	Tantalum	Fluorinert (Used w/Process Connector Type 7)	79 (a)
2. Transmitter with Low Profile Structure LP1 (Not available with Pressure Seals)			
Covers	Sensor	Fill Fluid	
316 ss	316L ss	Silicone	LL
316 ss	316L ss	Fluorinert	LM
316 ss	Hastelloy C	Silicone	LC
316 ss	Hastelloy C	Fluorinert	LD
3. Transmitter with Low Profile Structure LP2 (Not available with Pressure Seals)			
Covers	Sensor	Fill Fluid	
316 ss	316L ss	Silicone	52
316 ss	316L ss	Fluorinert	53
316 ss	Hastelloy C	Silicone	56
316 ss	Hastelloy C	Fluorinert	57
4. Transmitter prepared for Foxboro Model Coded Remote Mount Seals (b)(c)			
Transmitter prepared for Remote Seals on Both HI and LO Sides, Silicone Fill in Sensor	S1		
Transmitter prepared for Remote Seals on Both HI and LO Sides, Fluorinert Fill in Sensor	S2		
Transmitter prepared for Remote Seal HI Side, 1/2 NPT Connector LO Side, Silicone Fill in Sensor	S3		
Transmitter prepared for Remote Seal HI Side, 1/2 NPT Connector LO Side, Fluorinert Fill in Sensor	S4		
Transmitter prepared for Remote Seal LO Side, 1/2 NPT Connector HI Side, Silicone Fill in Sensor	S5		
Transmitter prepared for Remote Seal LO Side, 1/2 NPT Connector HI Side, Fluorinert Fill in Sensor	S6		

Model Code continued on next page

IDP10 DIFFERENTIAL PRESSURE TRANSMITTERS (Cont.)

MODEL CODE (Cont.)

5. Transmitter Prepared for Foxboro Model Coded Direct Connect Seals (b)			
PSFLT, PSSCT, or PSSST Direct Connect Seal on HI Side; 1/2 NPT Process Connector LO Side; Silicone Fill			F1
PSFLT, PSSCT, or PSSST Direct Connect Seal on HI Side; 1/2 NPT Process Connector LO Side; Fluorinert Fill			F2
PSFLT, PSSCT, or PSSST Direct Connect Seal on HI Side; Remote Seal with Capillary LO Side; Silicone Fill			F3
PSFLT, PSSCT, or PSSST Direct Connect Seal on HI Side; Remote Seal with Capillary LO Side; Fluorinert Fill			F4
6. Transmitter Prepared for non-Foxboro Seals			
Remote Seals on High and Low Sides; Silicone Fill in Sensor			SA
Remote Seals on High and Low Sides; Inert Fill in Sensor			SB
Remote Seal on High Side and 1/2 NPT Connector on Low Side, Silicone Fill in Sensor			SC
Remote Seal on High Side and 1/2 NPT Connector on Low Side, Inert Fill in Sensor			SD
Remote Seal on Low Side and 1/2 NPT Connector on High Side, Silicone Fill in Sensor			SE
Remote Seal on Low Side and 1/2 NPT Connector on High Side, Inert Fill in Sensor			SF
Span Limits (Differential Pressure Units)			
kPa	inH₂O	mbar	
0.12 and 7.5	0.5 and 30	1.2 and 75	A (e)
0.87 and 50	3.5 and 200	8.7 and 500	B
7 and 210	28 and 840	70 and 2100	C
MPa	psi	bar or kg/cm²	
0.07 and 2.1	10 and 300	0.7 and 21	D
0.7 and 21	100 and 3000	7 and 210	E (f)
Process Connector Type (Material Same as Process Cover Material) (g)			
See below:			0
<ul style="list-style-type: none"> • For d/p: No connectors; both covers tapped for 1/4 NPT (316 ss only, no side vents) • Flange Mount Hi Side: 1/2 NPT, 316 ss Process Connector on Lo Side (F1 and F2 only) • Flange Mount Hi Side: No connectors; both sides prepared for seals (F3 and F4 only) • Two Remote Seals: No connectors; both covers tapped for capillary connection (S1, S2, SA, SB only) • One Remote Seal: 1/2 NPT, 316 ss Process Connector on Side Opposite Seal (S3 to S6, SC to SF only) 			
1/4 NPT, Not with Structure Codes 46 to 49, 78, 79, or pressure seals			1
1/2 NPT, Not with Structure Codes 78 or 79, or pressure seals			2
Rc 1/4, Not with Structure Codes 46 to 49, 78, 79, or pressure seals			3
Rc 1/2, Not with Structure Codes 78 or 79, or pressure seals			4
1/2 Schedule 80 Welding Neck, Not with Structure Codes 46 to 49, 78, 79, or pressure seals			6
None; pvdf Insert tapped for 1/2 NPT/Process Inlet on Side of 316 ss Process Covers (only with 78/79 above)			7
Conduit Connection and Housing Material			
1/2 NPT Conduit Connection, Aluminum Housing			1
PG 13.5 Conduit Connection, Aluminum Housing (With Electrical Safety Codes E, D, M, and N only)			2
1/2 NPT Conduit Connection, 316 ss Housing			3
PG 13.5 Conduit Connection, 316 ss Housing (With Electrical Safety Codes E, D, M, and N only)			4
M20 Conduit Connection, Both Sides, Aluminum Housing (With Electrical Safety Codes E, D, M, and N only)			5
M20 Conduit Connection, Both Sides, 316 ss Housing (With Electrical Safety Codes E, D, M, and N only)			6
Electrical Safety - Also see Electrical Safety Specifications section for descriptions			
ATEX II 1 GD, EEx ia IIC, Zone 0; or II 1/2 GD, EEx ib IIC, Zone 0/1			E
ATEX II 2 GD, EEx d IIC, Zone 1 (d)			D
ATEX II 3 GD, EEx nL IIC, Zone 2			N
ATEX Multiple Certifications (includes ATEX Codes E, D, and N) (d)			M
(See Electrical Certification Specifications section for <u>user marking</u> WARNING)			
CSA Certified Division 1 intrinsically safe and explosionproof; also zone certified Ex ia IIC and Ex n IIC			C
CSA Zone Certified Ex d IIC and Ex ia IIC; also Division 1 explosionproof and intrinsically safe (d)			B
FM approved Division 1 intrinsically safe and explosionproof; and zone approved AEx ia IIC and AEx n IIC			F
FM Zone approved AEx d IIC and AEx ia IIC; also Division 1 explosionproof and intrinsically safe (d)			G
SAA Certified Ex ia IIC, Zone 0			H
SAA Certified Ex, d, IIC, Zone 1			A
SAA Certified Ex n, IIC, Zone 2			K

Model Code continued on next page

IDP10 DIFFERENTIAL PRESSURE TRANSMITTERS (Cont.)

MODEL CODE (Cont.)

Optional Selections	
Refer to Optional Selections below.	
Mounting Bracket Set (h)	
Standard Style Painted Steel Bracket with Plated Steel Bolts	-M1
Standard Style Stainless Steel Bracket with Stainless Steel Bolts	-M2
Universal Style Stainless Steel Bracket with Stainless Steel Bolts	-M3
Digital Indicator with Pushbuttons	
Digital Indicator, Pushbuttons, and Window Cover	-L1
DIN 19213 Construction used with Process Connector Code 0 and 316 ss Covers with no side vents (Not available when remote or direct connect seals are specified)	
Single Ended Process Cover with M10, B7 Steel Bolting	-D1 (j)
Double Ended Process Cover with M10, B7 Steel Bolting (Blind Kidney Flange on Back) (k)(l)	-D2 (j)
Single Ended Process Cover with 7/16 in, B7 Steel Bolting; standard pressure rating 25 MPa (3625 psi)	-D3
Double Ended Process Cover with 7/16 in, B7 Steel Bolting (Blind Kidney Flange on Back) (k)(l)	-D4 (j)
Single Ended Process Cover with 7/16 in, 316 ss Bolting	-D5 (j)
Double Ended Process Cover with 7/16 in, 316 ss Bolting (Blind Kidney Flange on Back) (k)(l)	-D6 (j)
Single Ended Process Cover with 7/16 in, 17-4 ss Bolting; standard pressure rating 25 MPa (3625 psi)	-D7
Double Ended Process Cover with 7/16 in, 17-4 ss Bolting (Blind Kidney Flange on Back) (k)(l)	-D8 (j)
Single Ended Process Cover with 7/16 in, 17-4 ss Bolting; pressure rating 40 MPa (5800 psi)	-D9
Not available with Span Codes A, D, or E; or Option Codes -V, -B1, -B2, -B3, or -Y	
Cleaning and Preparation - Not Available with Gold-Plated Sensor, Structure 2G; also not with seals	
Unit Degreased - for Silicone Filled Sensors Only (Not for Oxygen/Chlorine/Other Fluids that may react with Silicone)	-X1
Cleaned and Prepared for Oxygen Service - for Fluorinert Filled Sensors Only (Not Available with Carbon Steel Covers or with Silicone Filled Sensors)	-X2
Cleaned and Prepared for Chlorine Service - for Fluorinert Filled Sensors Only (m) (Not Available with Carbon Steel Covers or with Silicone Filled Sensors)	-X3
Bolting for Process Covers/Connectors - Not with DIN 19213 Construction or Structure Codes 78 and 79 (n)	
316 ss Bolts and Nuts (Pressure Derated; Not Available with -Y Option) (j)	-B1
17-4 ss Bolts and Nuts (m)	-B2
B7-M Bolts and Nuts (NACE)(pressure derated) (j)	-B3
Conduit Thread Adapters (Not available with Conduit Connection Codes 5 and 6)	
Hawke-Type 1/2 NPT Cable Gland for use with Conduit Connection Codes 1 and 3 (p)	-A1
Plastic PG 13.5 Cable Gland for use with Conduit Connection Codes 2 and 4 (q)	-A2
M20 Conduit Thread Adapter for use with Conduit Connection Codes 1 and 3 (p)	-A3
Brass PG 13.5 Cable Gland (Trumpet-Shaped) for use w/Conduit Connection Codes 2 and 4 (q)	-A4
Electronics Housing Features	
External Zero Adjustment	-Z1
Custody Transfer Lock and Seal	-Z2
External Zero Adjustment and Custody Transfer Lock/Seal	-Z3
Custom Factory Configuration	
Full Factory Configuration (Requires Configuration Form to be Filled Out)	-C2
Tubing Connectors - Not available with Structure Codes 78 and 79; also not with pressure seals	
Steel, Connecting 6 mm Tubing to 1/4 NPT Process Connector Only with Structure Codes 10 to 13; and Process Connector Codes 0 and 1	-E1
Steel, Connecting 12 mm Tubing to 1/2 NPT Process Connector Only with Structure Codes 10 to 13; and Process Connector Code 2	-E2
316 ss, Connecting 6 mm Tubing to 1/4 NPT Process Connector Only with Structure Codes 10 to 13 and 20 to 23; and Process Connector Codes 0 and 1	-E3
316 ss, Connecting 12 mm Tubing to 1/2 NPT Process Connector Only with Structure Codes 10 to 13 and 20 to 23; and Process Connector Code 2	-E4
Vent Screw in Process Cover	
Supply Vent Screw in Side of Each Process Cover (Available only on Traditional Process Cover Structure Codes 22 to 47)	-V
Omit Vent Screw in Side of Each Process Cover (Available only on Type LP1 Low Profile Process Cover Structures Codes LL, LM, LC, and LD)	-V1

MODEL CODE (Cont.)

<p><u>Adapters for Direct Mount to Competitive Manifolds (See inside pages for manifold compatibility)</u> Adapter plate, Bolts, and Gaskets for Coplanar Manifolds Not available with: Bolting Options -B1, -B2, and -B3; DIN 19213 Construction Options -D1, -D2, -D4, -D5, -D6, -D7, and -D8</p>	-P1
<p><u>Gaskets</u> Gasket for Vacuum Service with Pressure Seals (s)</p>	-G1
<p><u>Instruction Books (Common MI, Brochure, and Full Documentation Set on CD-ROM is Standard)</u> Without Instruction Book and CD; only "Getting Started" brochure is supplied.</p>	-K1
<p><u>Miscellaneous Optional Selections</u> Low Temperature Operative Limit of Electronics Housing Extended Down to -50°C (-58°F) Not available with sensors and seals with fluorinert fill; Structure Codes 78 and 79; and DIN Options -D2, -D4, -D6, and -D8 Supplemental Customer Tag (Stainless Steel Tag wired onto Transmitter) Five Year Warranty Static Pressure Rating to 40 MPa (5800 psi); Only with Span Codes B and C Not available with: – Options -B1, -B2, and -B3 (r) – Options -D1 to -D9 – Structure Codes 34, 35, 78, 79, S1 to S6, SA to SF, F1 to F4</p>	-J -T -W -Y

- (a) Maximum static pressure rating is 2.1 MPa (300 psi); temperature limits are -7 and +82°C (20 and 180°F).
- (b) Both Transmitter and Pressure Seal Model Numbers are required. See PSS 2A-1Z11 A for the various pressure seal Model Codes.
- (c) Remote Seal Models that may be specified are PSFPS, PSFES, PSFAR, PSTAR, PSISR, PSSCR, and PSSSR.
- (d) Cover lock provided as standard with Electrical Safety Codes D, B, G, and M.
- (e) Span Limit Code A is not available with pressure seals, except for Sanitary Spud Seals Models PSSSR-4 and PSSST-4.
- (f) Span Limit Code E is not available with Structure Codes 78 and 79 above (pdf insert in HI side cover).
- (g) Select Code "0" if a pressure seal is specified. Otherwise select Code 1 through 7.
- (h) Mounting sets not offered with direct connect (flange mount) seals.
- (j) See Functional Specifications section for pressure deratings when certain DIN 19213 versions and Bolting Options -B1 and -B3 are specified.
- (k) Temperature limits derated to 0 and 60°C (32 and 140°F). Also not available with Structure Codes 52 to 57, and LL, LM, LC, and LD.
- (l) Mounting Bracket Set options are not available.
- (m) When -X3 is specified, the standard bolting is replaced with 17-4 ss bolts and nuts. Therefore, there is no need to specify Option -B2 when selecting the Chlorine Service Option -X3.
- (n) Not available with DIN construction options. For stainless steel bolts with DIN construction, specify -D5 to -D9, as required.
- (p) Available with Electric Safety Codes E, D, M, and N only.
- (q) Available with Electric Safety Code E only.
- (r) -B2 Bolt Option (17-4 ss) is not available with the -Y option because 17-4 ss bolts and nuts are supplied as part of the -Y option.
- (s) -G1 is a required option when pressure seal will be used in vacuum applications. This option substitutes vacuum service metal gasket for standard ptfе process cover gasket.

SUGGESTED RFQ SPECIFICATIONS

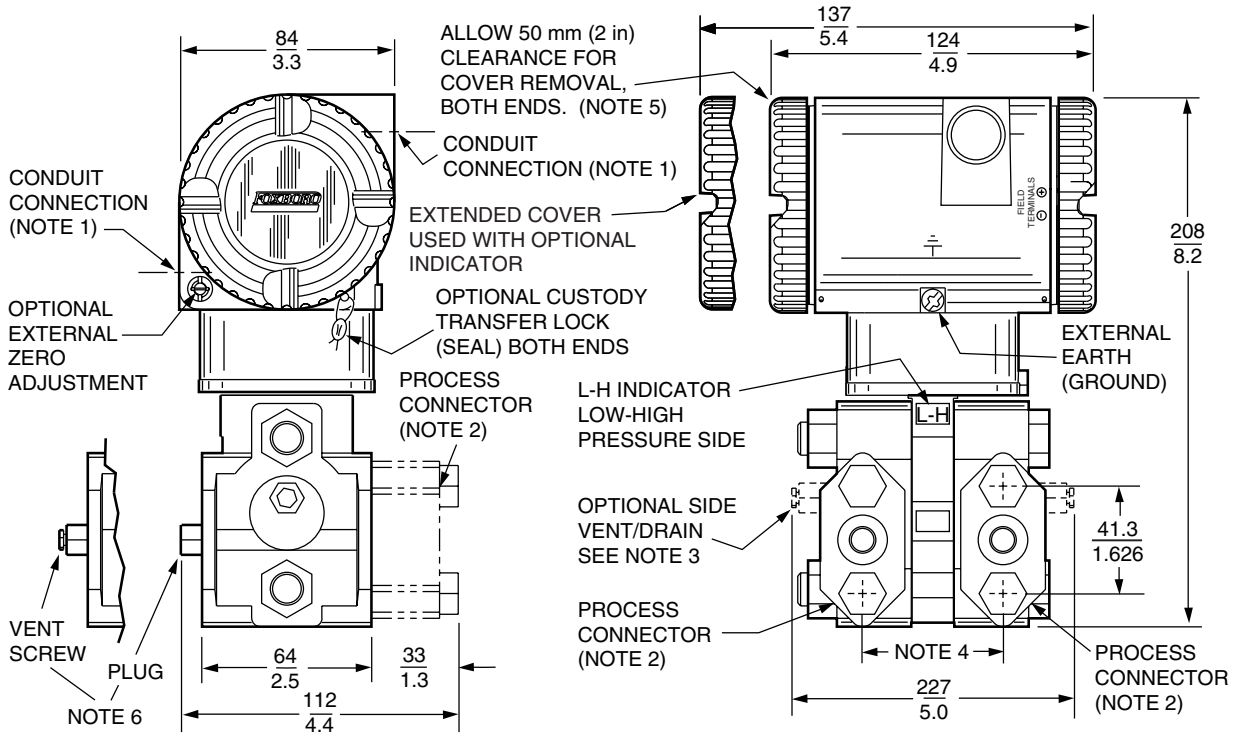
The manufacturer shall provide field-mounted differential pressure transmitter(s) featuring remote digital communications capability for measuring differential pressure and transmitting a 4 to 20 mA dc output with a superimposed HART digital signal for use in a standard two-wire dc supply voltage system. They are offered with traditional or low profile structures. Transmitters with a traditional structure can also be provided (as required) with direct connect seals or remote capillary connected seals. The specifications for these transmitters are as follows:

- Communication Protocol:** 4 to 20 mA dc with HART communication
- Remote Communications:** Must not interfere with output
 - Accuracy:** Digital Output, Linear: $\pm 0.050\%$ of calibrated span
4 to 20 mA Output, Linear: $\pm 0.075\%$ of calibrated span
 - Damping:** Settable for a range of none to 32 seconds
 - RFI Protection:** 0.1% error between 27 and 1000 MHz at 30 V/m field intensity
 - Span Limits:** 0.5 and 30 inH₂O, 3.5 and 200 inH₂O, 1 and 30 psi, 10 and 300 psi, 100 and 3000 psi, as specified; or SI and metric equivalents.
 - Proof Pressure:** 14 500 psi for standard transmitters
 - Mounting:** On process piping, on a manifold, or optional mounting bracket
 - Input Connection:** With process connectors to accept 1/4 NPT, 1/2 NPT, Rc 1/4, Rc 1/2, or 1/2 Schedule 80 welding neck; or 1/2 NPT pvdf inserts installed in 316 ss process covers; or prepared for a direct connect seal; or prepared for a single remote capillary connected seal, or two remote capillary connected seals.
 - Electronics Housing:** 316 ss, or aluminum housing with epoxy finish
 - Modular Electronics:** Enclosed in a NEMA 4X (IEC IP66) housing sealed with O-rings for protection against moisture or other contaminants. Optional Integral LCD indicator with on-board configuration pushbuttons.
 - Process Cover:** Traditional Structures
Steel, 316 ss, Monel, Hastelloy C, or pvdf insert
Low Profile Structures:
316 ss
 - Sensor Materials:** Traditional Structure:
316L ss, Hastelloy C, Co-Ni-Cr, Monel, Tantalum, or Gold-Plated 316L ss
Low Profile Structures:
316L ss or Hastelloy C
 - Approvals and Certifications:** Must be suitable for Division 1 hazardous locations, and conform to all applicable European Union Directives. Also versions available to meet Agency flameproof and zone requirements.
 - Approximate Mass:
(with Process Connectors)** 4.2 kg (9.2 lb), with Traditional Structures;
Add 0.1 kg (0.2 lb) with Low Profile Structure LP1;
Add 0.8 kg (1.8 lb) with Low Profile Structure LP2;
Add 1.1 kg (2.4 lb) with 316 ss housing;
Add 0.2 kg (0.4 lb) with optional LCD indicator.
 - Model Code:** I/A Series IDP10 Intelligent d/p Cell Transmitter with HART Communication Protocol, with or without pressure seals, or equivalent

DIMENSIONS-NOMINAL

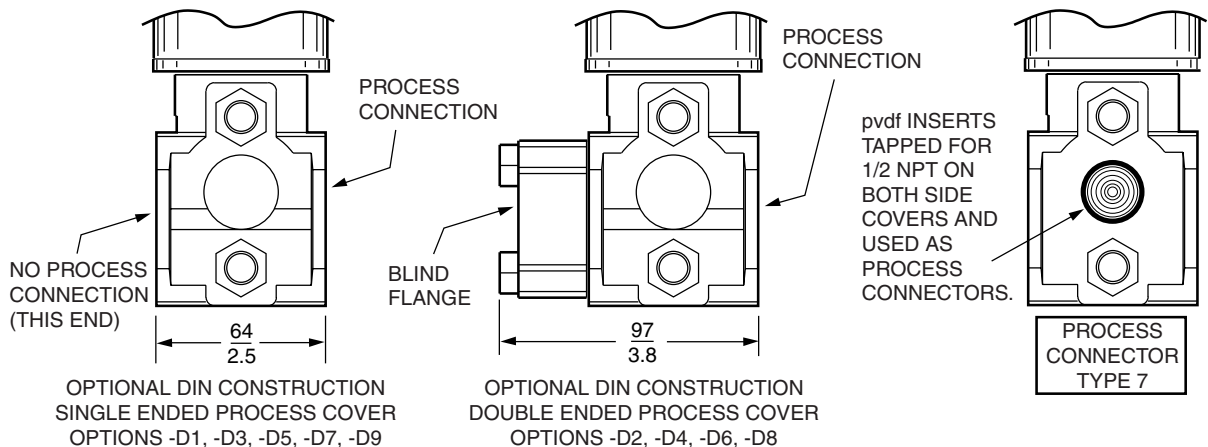
**mm
in**

TRANSMITTER WITH TRADITIONAL STRUCTURE



NOTES:

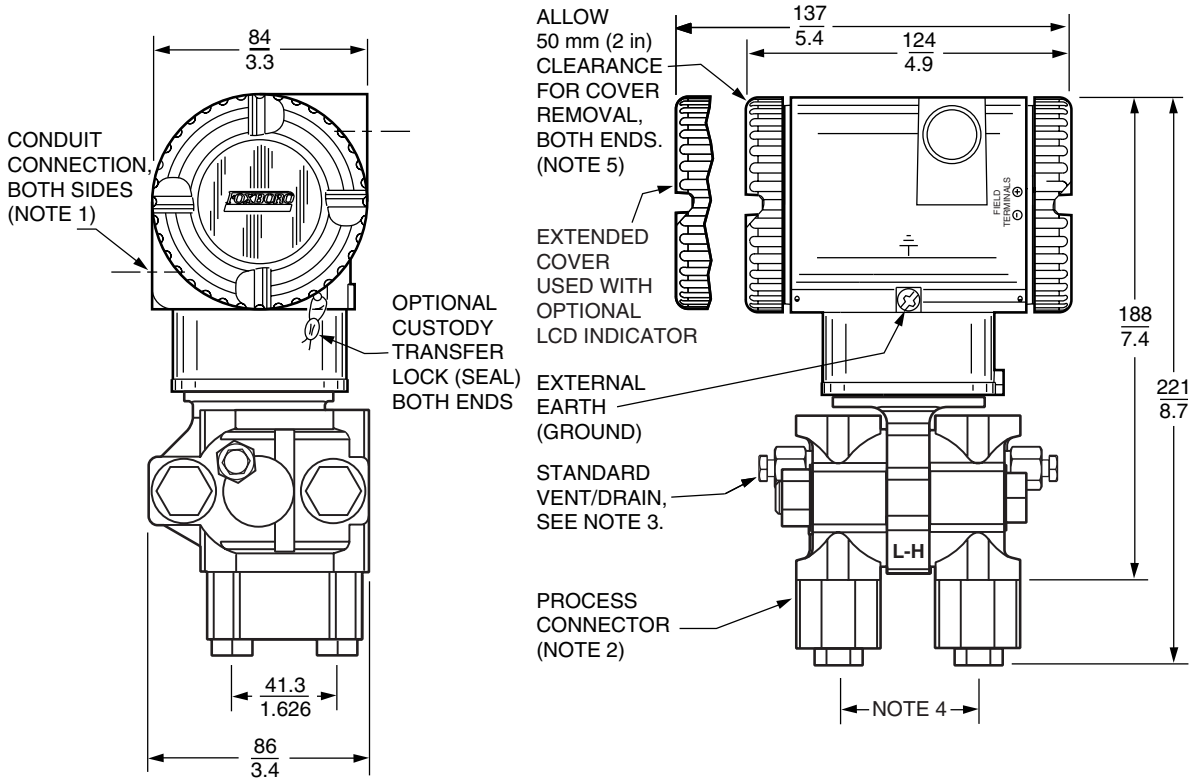
1. CONDUIT CONNECTION 1/2 NPT OR PG 13.5, BOTH SIDES: PLUG UNUSED CONNECTION WITH METAL PLUG (SUPPLIED).
2. PROCESS CONNECTORS MAY BE REMOVED AND TRANSMITTER MOUNTED DIRECTLY ON A MANIFOLD, OR CONNECTIONS MADE DIRECTLY TO PROCESS COVER USING 1/4 NPT INTERNAL THREAD IN PROCESS COVER.
3. PROCESS COVER CAN BE INVERTED MAKING OPTIONAL SIDE VENTS OR SIDE DRAINS
4. PROCESS CONNECTORS CAN BE INVERTED TO GIVE EITHER 51, 54, OR 57 mm (2.0, 2.125, OR 2.25 in) CENTER-TO-CENTER DISTANCE BETWEEN HIGH AND LOW PRESSURE CONNECTIONS.
5. TOPWORKS CAN BE ROTATED TO ANY POSITION WITHIN ONE TURN COUNTERCLOCKWISE OF THE FULLY TIGHTENED POSITION.
6. PROCESS COVER END PLUGS ARE SUBSTITUTED FOR VENT SCREWS WHEN OPTIONAL SIDE VENTS (NOTE 3) ARE SPECIFIED.



DIMENSIONS-NOMINAL (Cont.)

mm
in

TRANSMITTER WITH LOW PROFILE STRUCTURE LP1



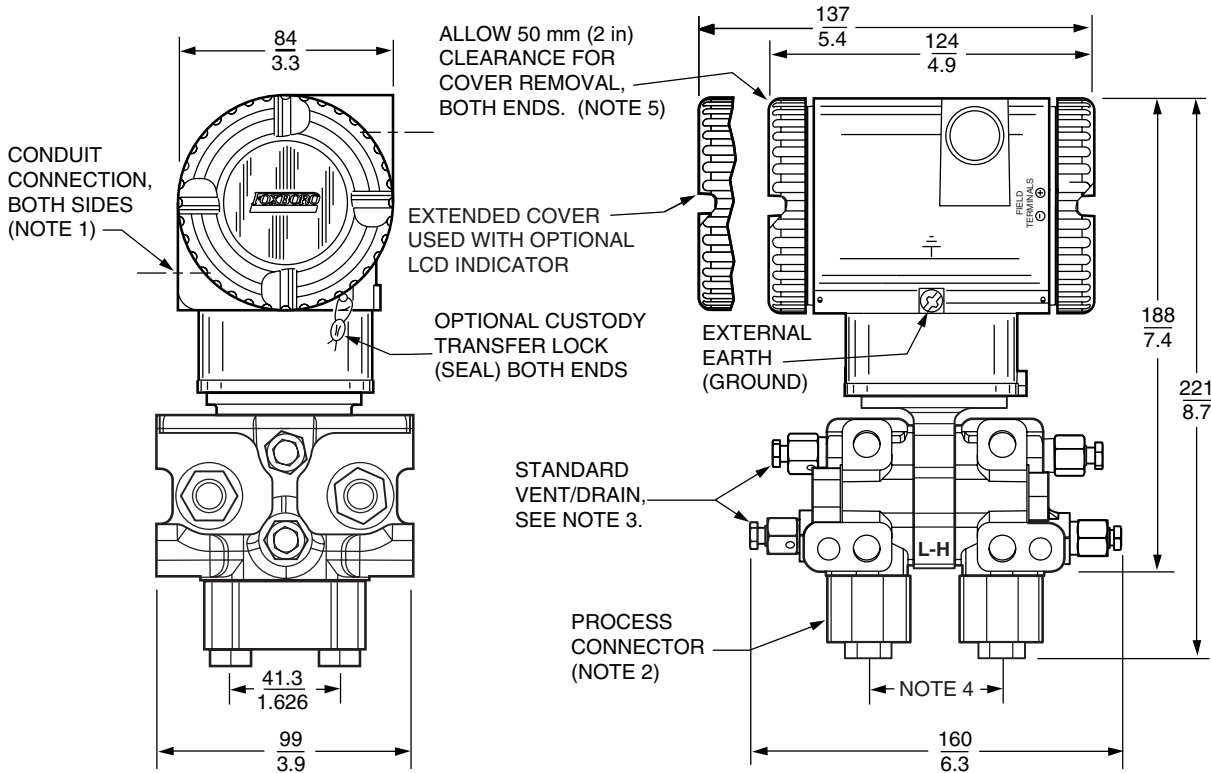
NOTES:

1. CONDUIT CONNECTION 1/2 NPT, PG 13.5, OR M20, BOTH SIDES: PLUG UNUSED CONNECTION WITH METAL PLUG (SUPPLIED).
2. PROCESS CONNECTORS MAY BE REMOVED AND TRANSMITTER MOUNTED DIRECTLY ON A MANIFOLD, OR CONNECTIONS MADE DIRECTLY TO PROCESS COVER USING 1/4 NPT INTERNAL THREAD IN PROCESS COVER.
3. THE TRANSMITTER'S LOW PROFILE STRUCTURE LP1 IS SHOWN IN THE VERTICALLY UPRIGHT POSITION. NOTE THE LOCATION OF THE STANDARD VENT/DRAIN SCREW. IN THIS CONFIGURATION THE TRANSMITTER CAN BE VENTED OR IS SELF-DRAINING. ALSO RECOMMENDED IS A HORIZONTAL INSTALLATION WHERE THE INSTALLED ORIENTATION CAN BE SET TO ALLOW FOR VENTING OR DRAINING.
4. PROCESS CONNECTORS CAN BE INVERTED TO GIVE EITHER 51, 54, OR 57 mm (2.0, 2.125, OR 2.25 in) CENTER-TO-CENTER DISTANCE BETWEEN HIGH AND LOW PRESSURE CONNECTIONS.
5. TOPWORKS CAN BE ROTATED TO ANY POSITION WITHIN ONE TURN COUNTERCLOCKWISE OF THE FULLY TIGHTENED POSITION.

DIMENSIONS-NOMINAL (Cont.)

mm
in

TRANSMITTER WITH LOW PROFILE STRUCTURE LP2

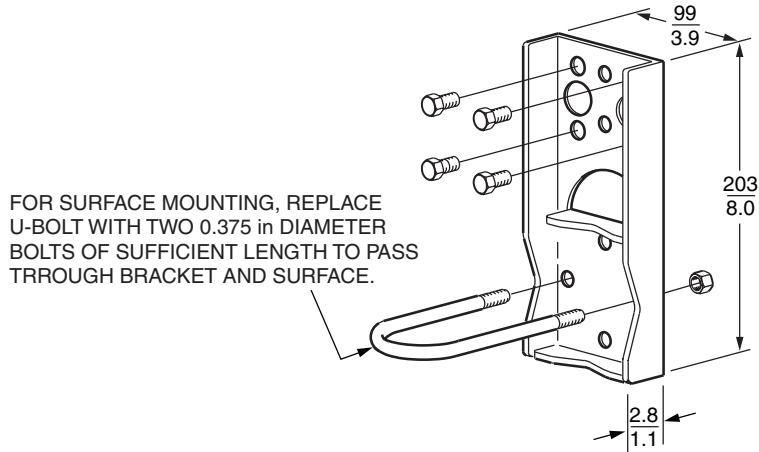


- NOTES:
1. CONDUIT CONNECTION 1/2 NPT, PG 13.5, OR M20, BOTH SIDES: PLUG UNUSED CONNECTION WITH METAL PLUG (SUPPLIED).
 2. PROCESS CONNECTORS MAY BE REMOVED AND TRANSMITTER MOUNTED DIRECTLY ON A MANIFOLD, OR CONNECTIONS MADE DIRECTLY TO PROCESS COVER USING 1/4 NPT INTERNAL THREAD IN PROCESS COVER.
 3. THE TRANSMITTER'S LOW PROFILE STRUCTURE LP2 IS SHOWN IN THE RECOMMENDED VERTICAL UPRIGHT POSITION. NOTE THE STANDARD VENT OR DRAIN SCREWS. HORIZONTAL INSTALLATIONS ARE NOT RECOMMENDED.
 4. PROCESS CONNECTORS CAN BE INVERTED TO GIVE EITHER 51, 54, OR 57 mm (2.0, 2.125, OR 2.25 in) CENTER-TO-CENTER DISTANCE BETWEEN HIGH AND LOW PRESSURE CONNECTIONS.
 5. TOPWORKS CAN BE ROTATED TO ANY POSITION WITHIN ONE TURN COUNTERCLOCKWISE OF THE FULLY TIGHTENED POSITION.

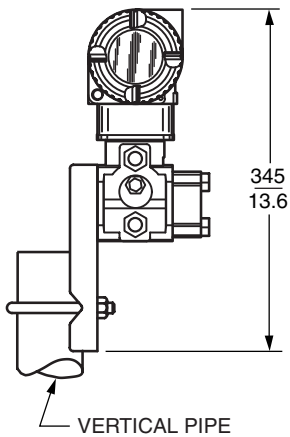
DIMENSIONS-NOMINAL (Cont.)

mm
in

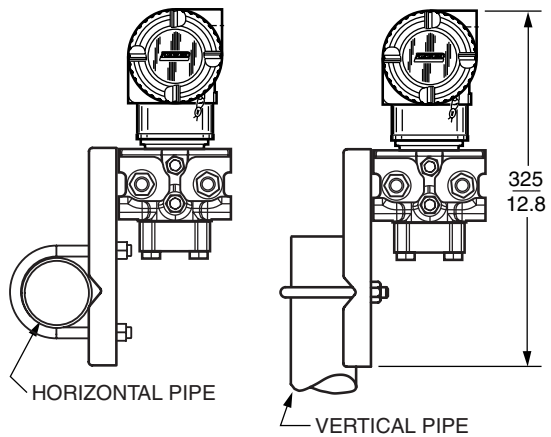
TRANSMITTER WITH STANDARD STYLE MOUNTING BRACKET KIT (Options -M1 and -M2)



TRANSMITTER WITH TRADITIONAL STRUCTURE



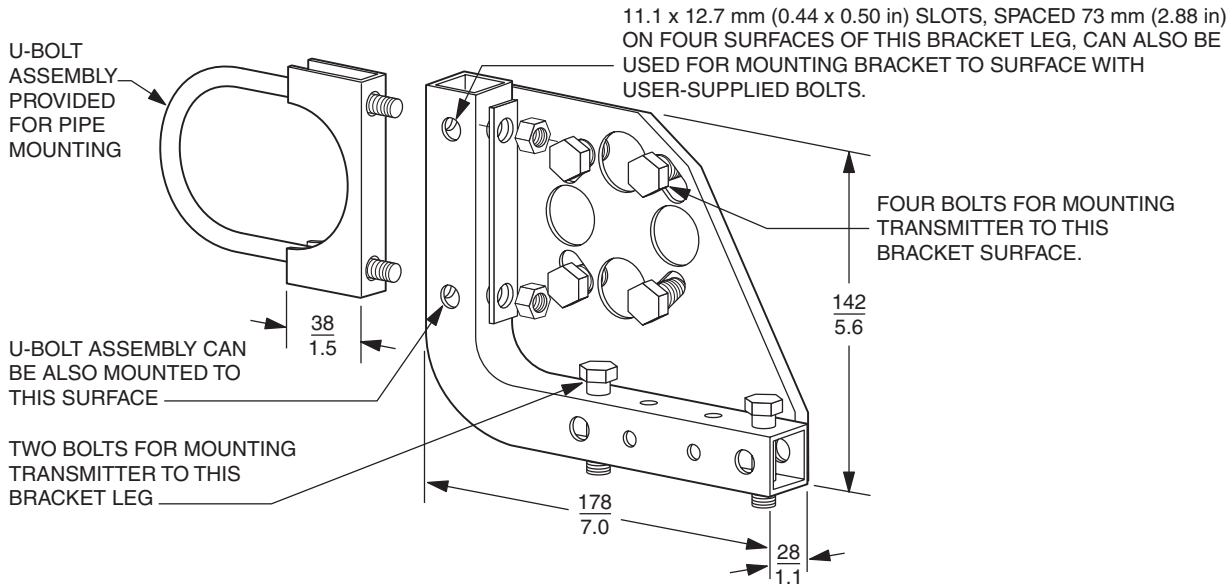
TRANSMITTER WITH LOW PROFILE STRUCTURE LP2



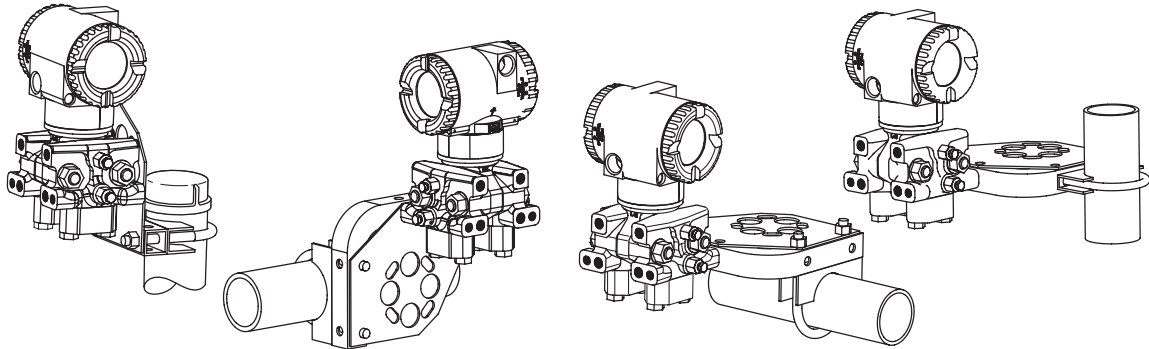
DIMENSIONS-NOMINAL (Cont.)

$\frac{\text{mm}}{\text{in}}$

TRANSMITTER WITH UNIVERSAL STYLE MOUNTING BRACKET KIT (Option -M3)

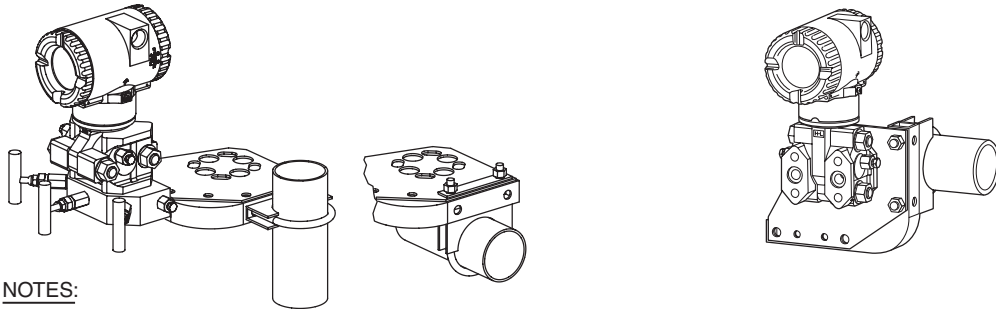


TYPICAL PIPE MOUNTING WITH LOW PROFILE STRUCTURE LP2



**TYPICAL PIPE MOUNTING
LOW PROFILE STRUCTURE LP1**

**TYPICAL PIPE MOUNTING
WITH TRADITIONAL STRUCTURE**



NOTES:

1. FOR SURFACE MOUNTING CONFIGURATIONS, USE THE U-BOLT MOUNTING HOLES FOR ATTACHING THE BRACKET TO A SURFACE RATHER THAN TO THE U-BOLT ASSEMBLY. SURFACE MOUNTING BOLTS FOR ATTACHING THE BRACKET TO A SURFACE ARE USER SUPPLIED.
2. REFER TO DIMENSIONAL PRINT DP 020-446 FOR FURTHER IDP10 MOUNTING CONFIGURATIONS.

ORDERING INSTRUCTIONS

1. Model Number(s) as follows:
 - Transmitter only if pressure seals are not selected
 - Both transmitter and pressure seals if pressure seals are selected with traditional structure. See PSS 2A-1Z11 A.
2. Calibrated Pressure Range (using Allowable Pressure Units from the table below).
3. Configuration Data Form when Factory Calibration Option -C2 is specified.
4. Options and Accessories not in Model Code (see PSS 2A-1Z9 E).
5. User Tag Data - Data Plate; 32 characters maximum. For additional tag data, specify Optional Supplemental Tag -T.
6. User Tag Data - Software (Database); 8 characters maximum (user configured).

Available Pressure Units for Calibrated Range (a)

inH ₂ O	psi	Pa	atm	g/cm ²
ftH ₂ O	inHg	kPa	bar	kg/cm ²
mmH ₂ O	mmHg	MPa	mbar	torr

(a) See Optional LCD Indicator for percent (%) display.

OTHER M&I PRODUCTS

Invensys Foxboro provides a broad range of measurement and instrument products, including solutions for pressure, flow, analytical, positioners, temperature, controlling and recording. For a listing of these offerings, visit the Invensys Foxboro web site at:

